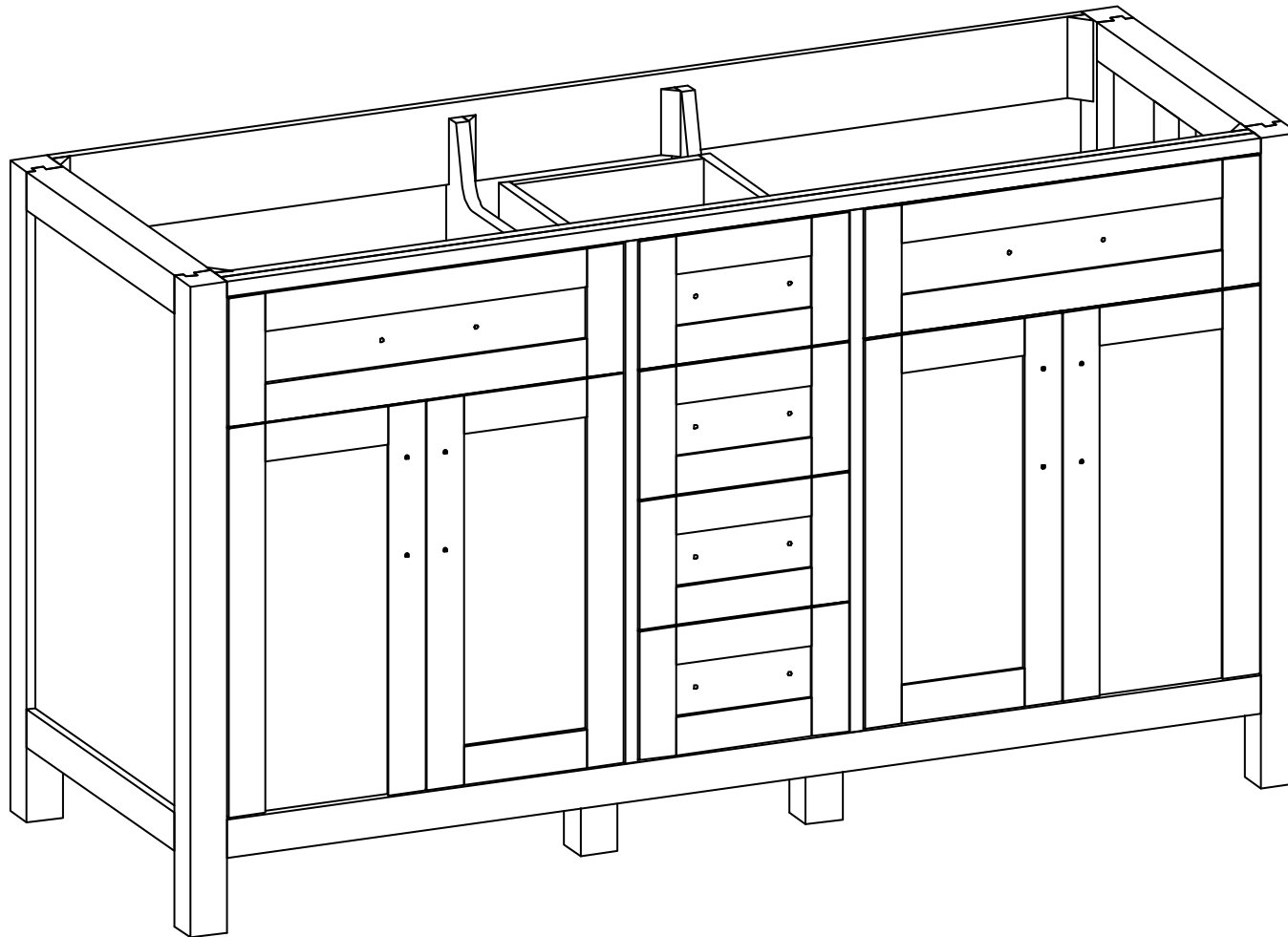


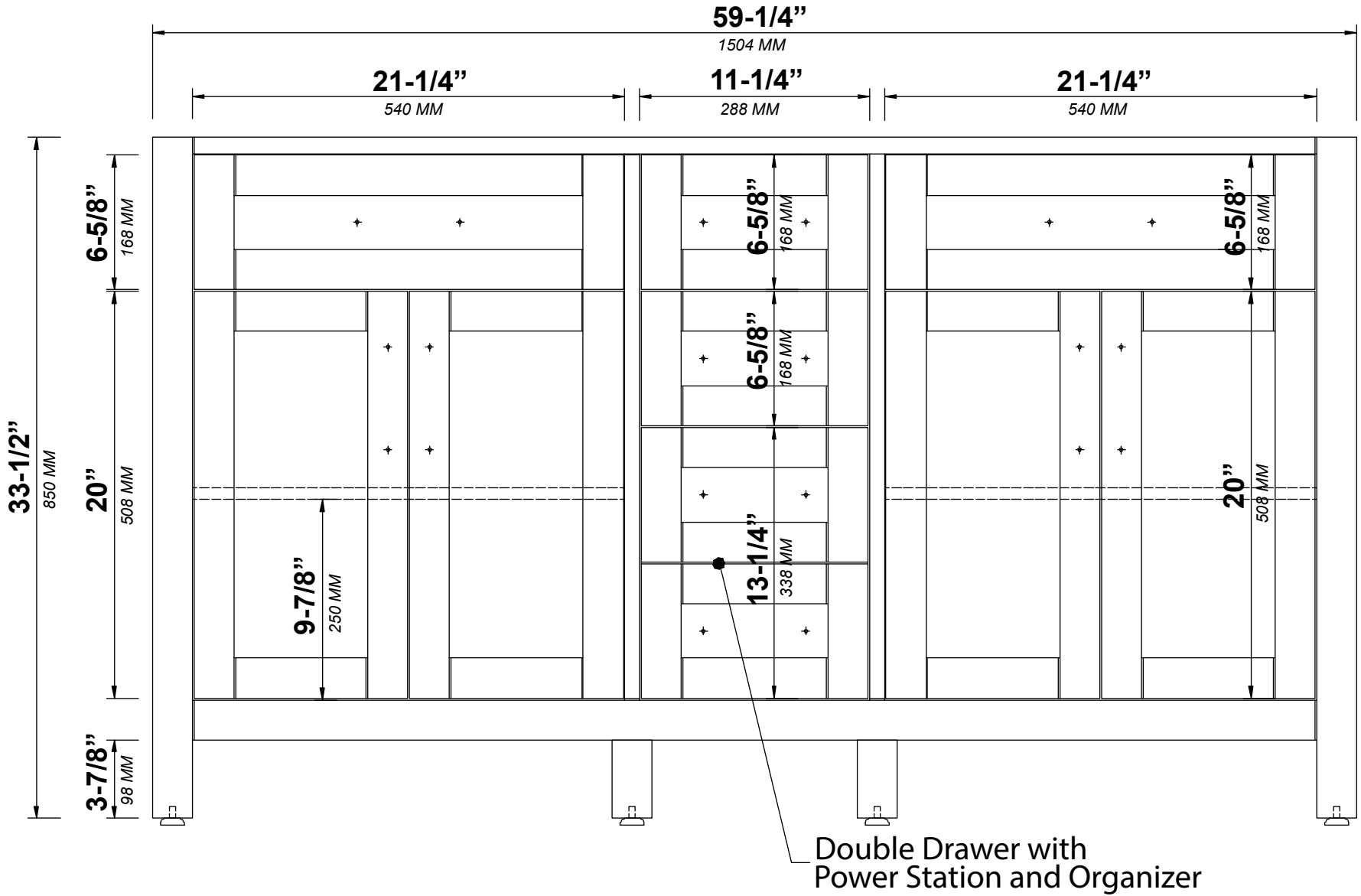


**CAMBRIDGE 60 IN DOUBLE SINK  
BATHROOM VANITY**



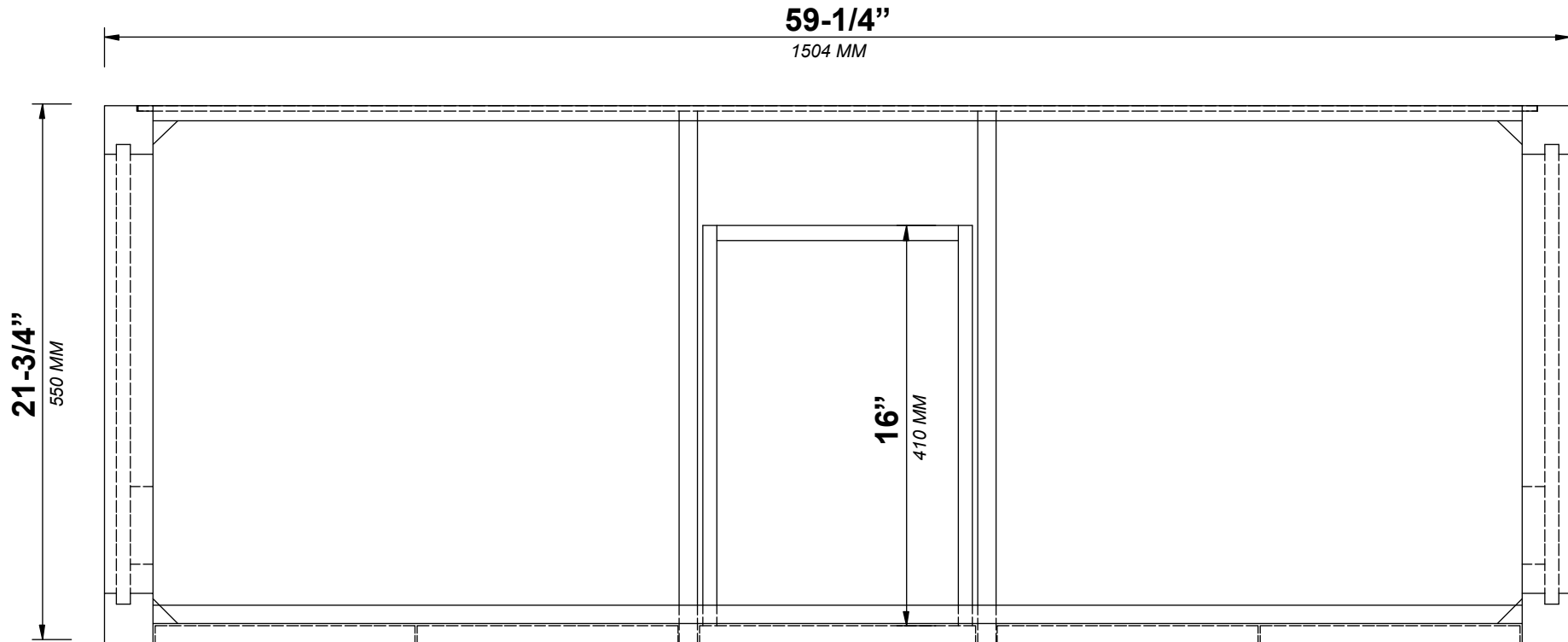
# CAMBRIDGE 60 IN DOUBLE SINK CABINET

## FRONT VIEW



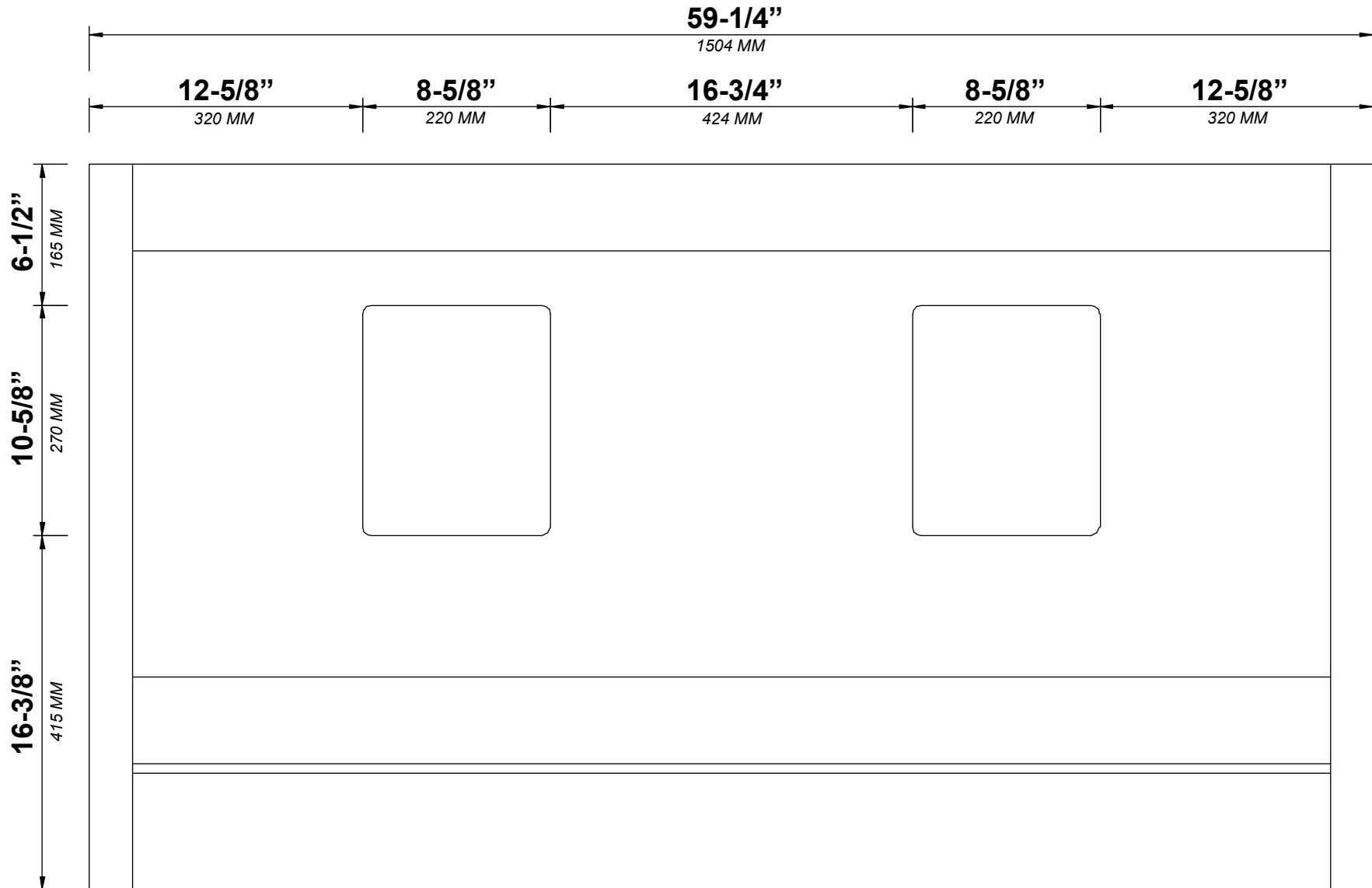
# CAMBRIDGE 60 IN DOUBLE SINK CABINET

## TOP VIEW



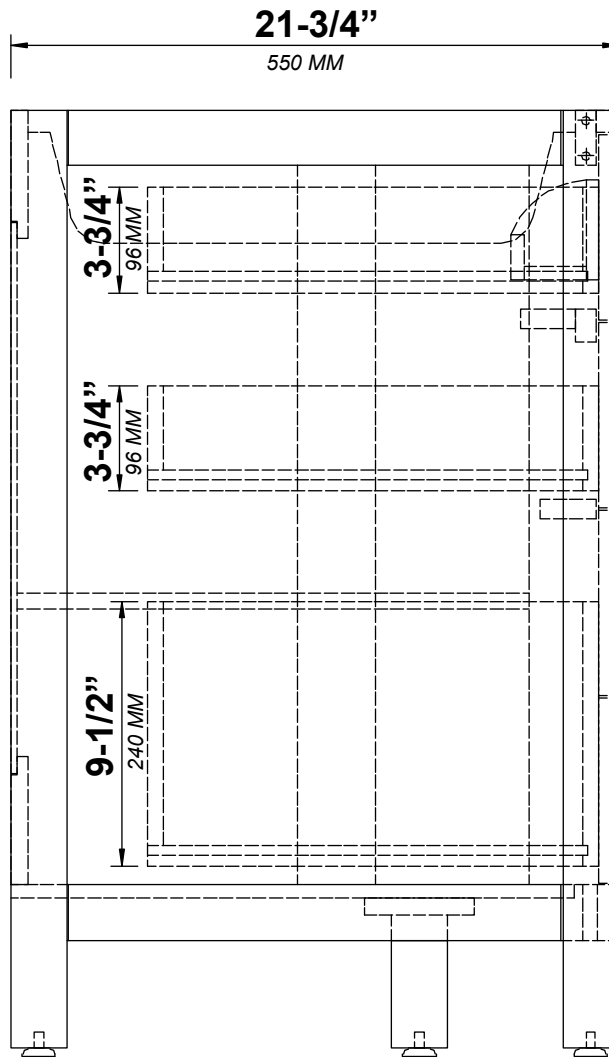
# CAMBRIDGE 60 IN DOUBLE SINK CABINET

## BACK VIEW

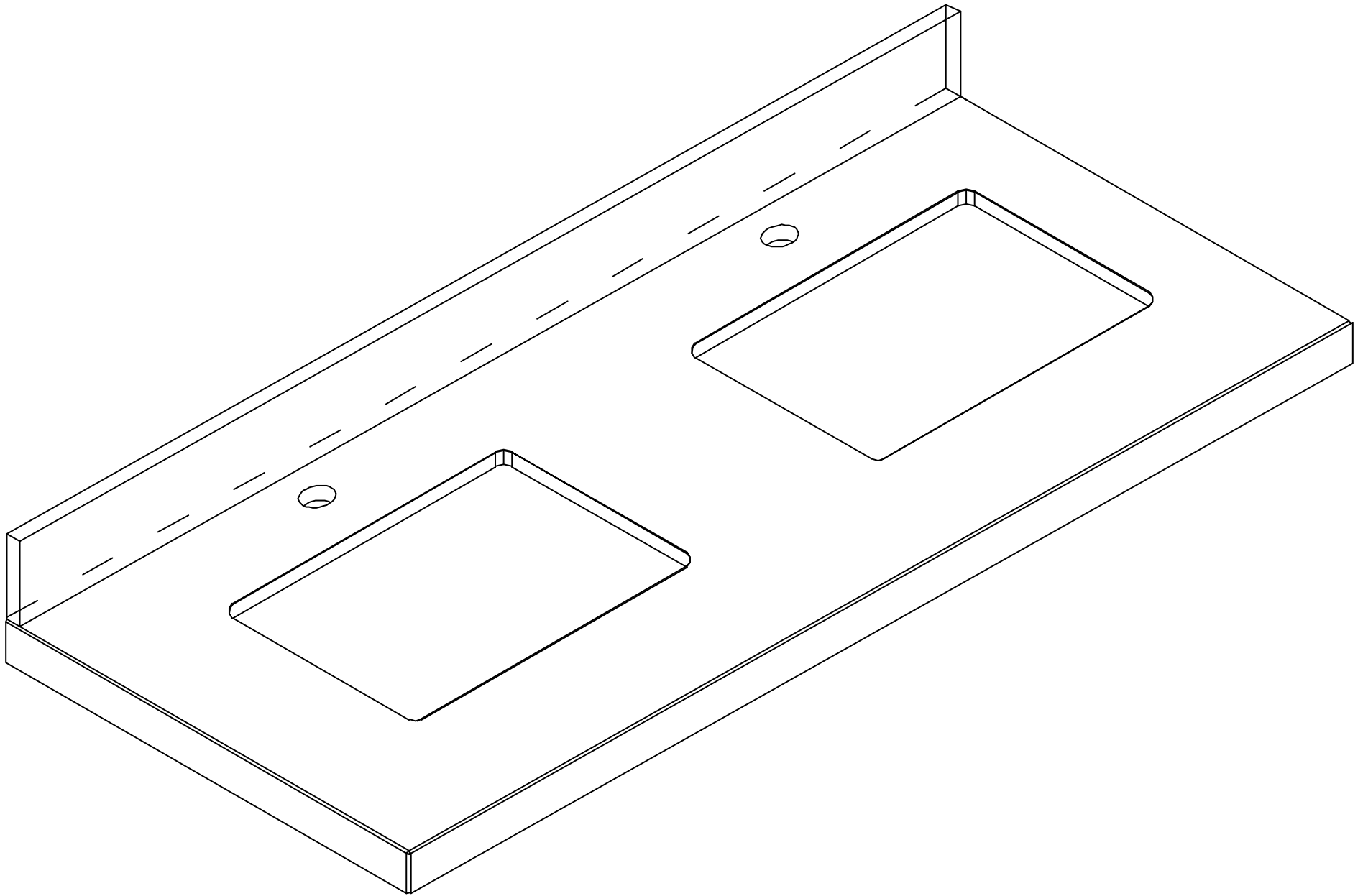


# CAMBRIDGE 60 IN DOUBLE SINK CABINET

## SIDE VIEW

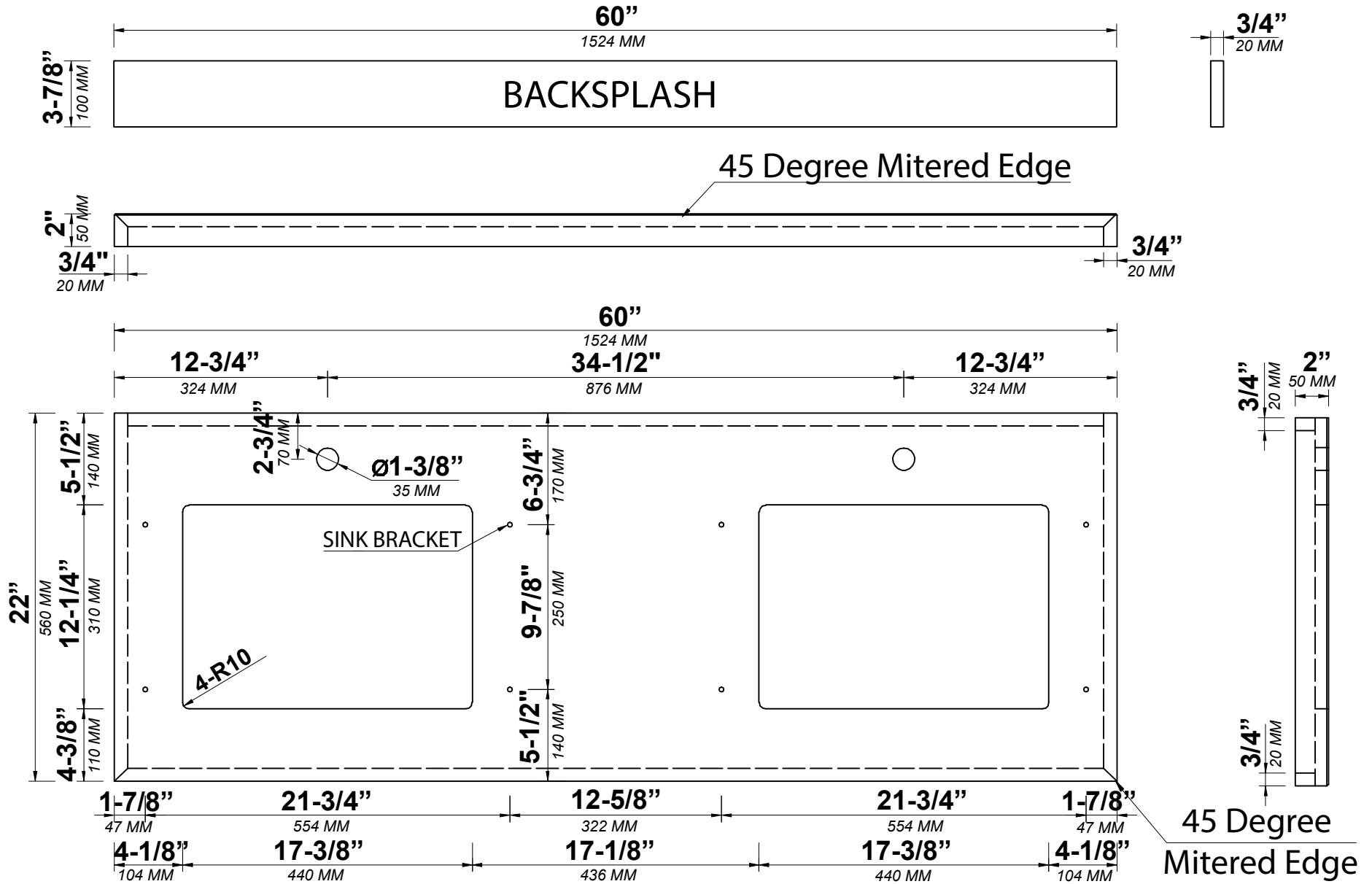


60 IN DOUBLE SINK 2 IN STRAIGHT MITERED EDGE COUNTERTOP

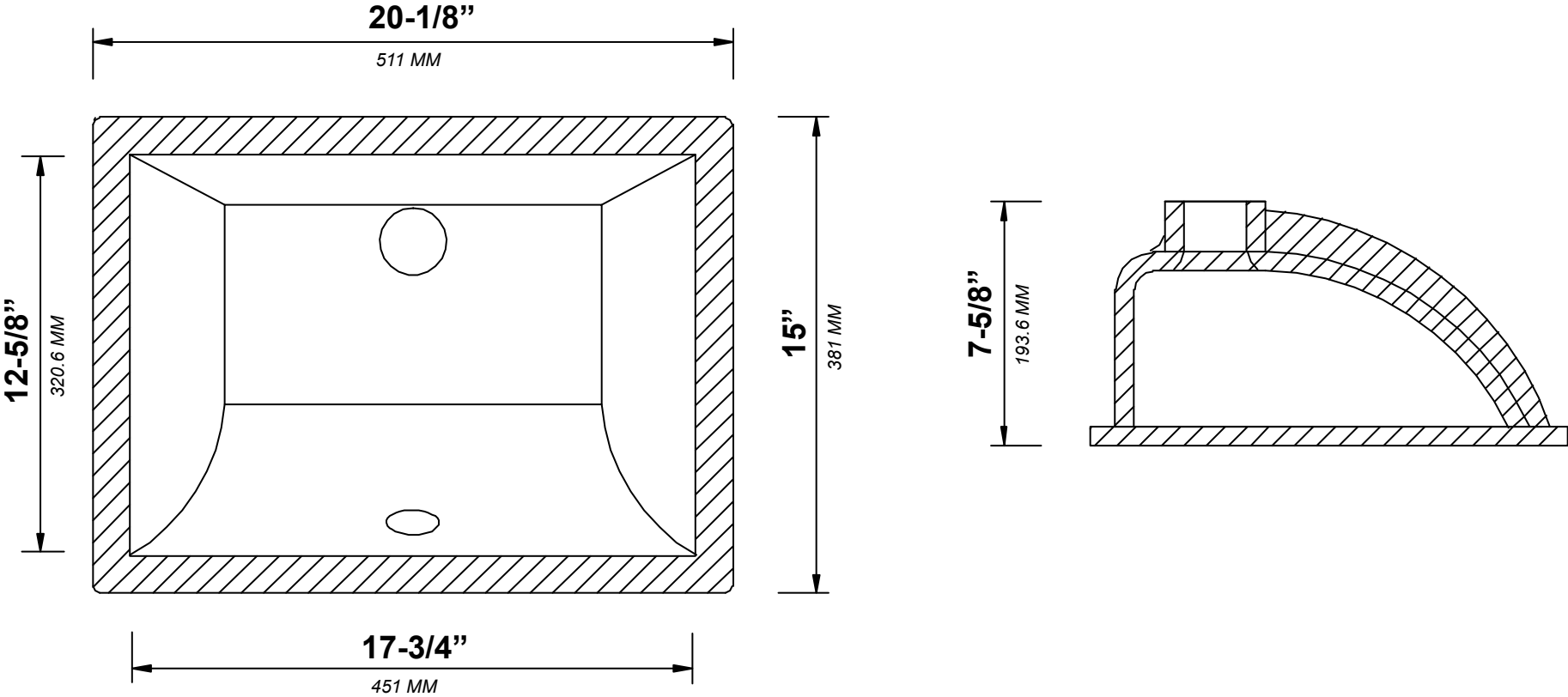


# 60 IN DOUBLE SINK 2 IN STRAIGHT MITERED EDGE COUNTERTOP

NOTE: The dimensions specified below pertain exclusively to **Straight Mitered Edge** countertops. For information regarding **Double Cove Edge** dimensions, please refer to the Double Cove Edge dimensions section.

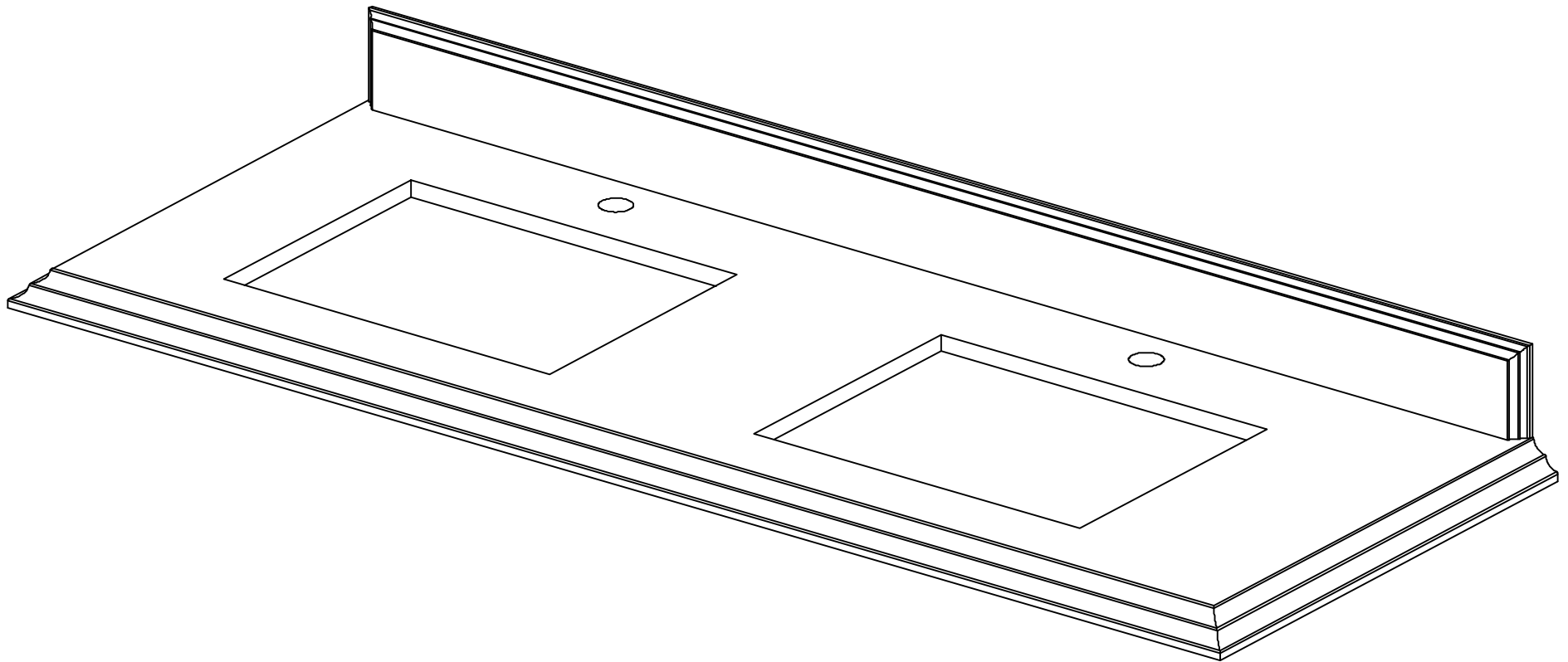


# STANDARD RECTANGULAR UNDERMOUNT SINK





60 IN DOUBLE SINK 1.5 IN DOUBLE COVE EDGE COUNTERTOP



# 60 IN DOUBLE SINK 1.5 IN DOUBLE COVE EDGE COUNTERTOP

NOTE: The dimensions specified below pertain exclusively to **Double Cove Edge** countertops. For information regarding **Straight Mitered Edge** dimensions, please refer to the Straight Mitered Edge dimensions section.

