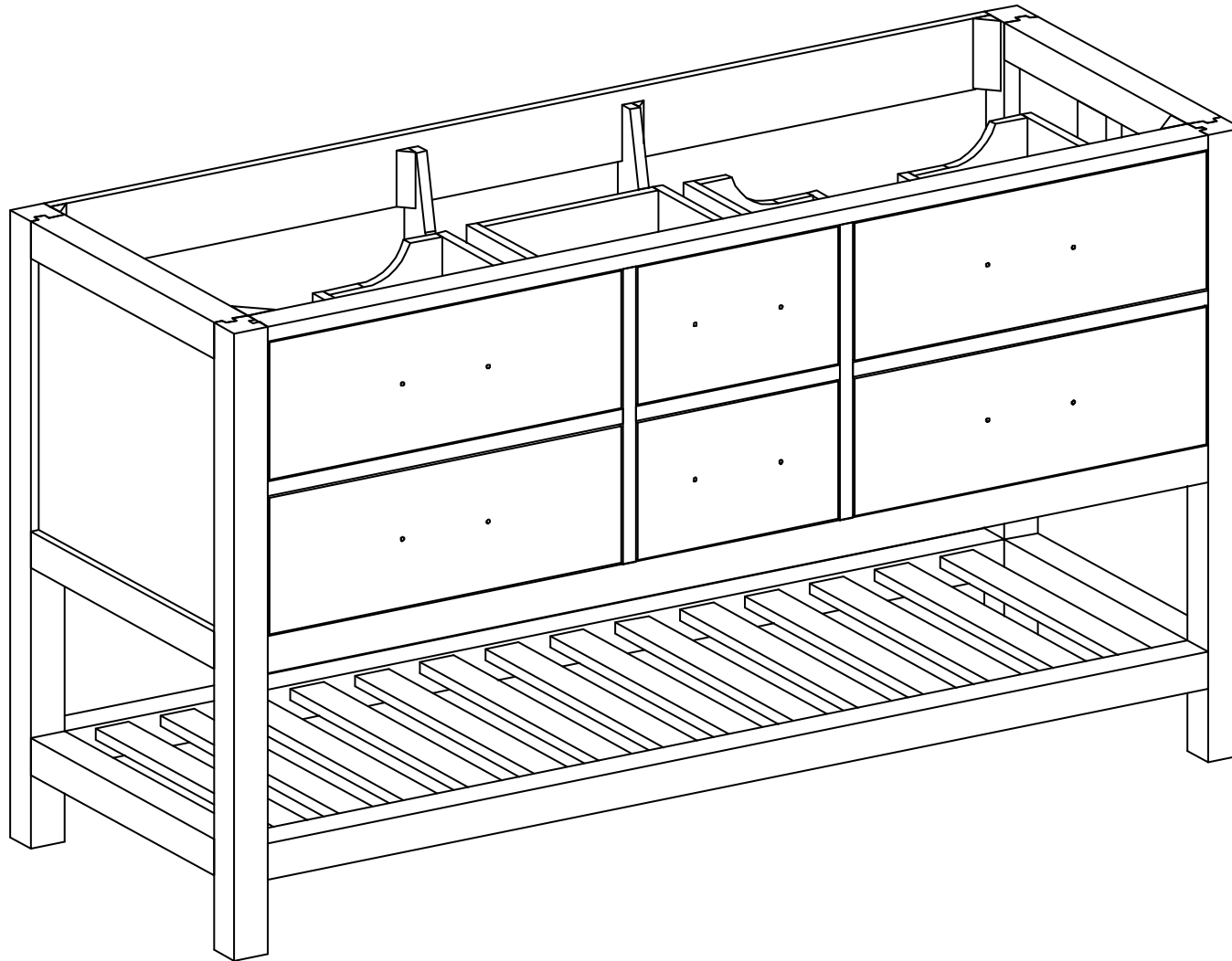


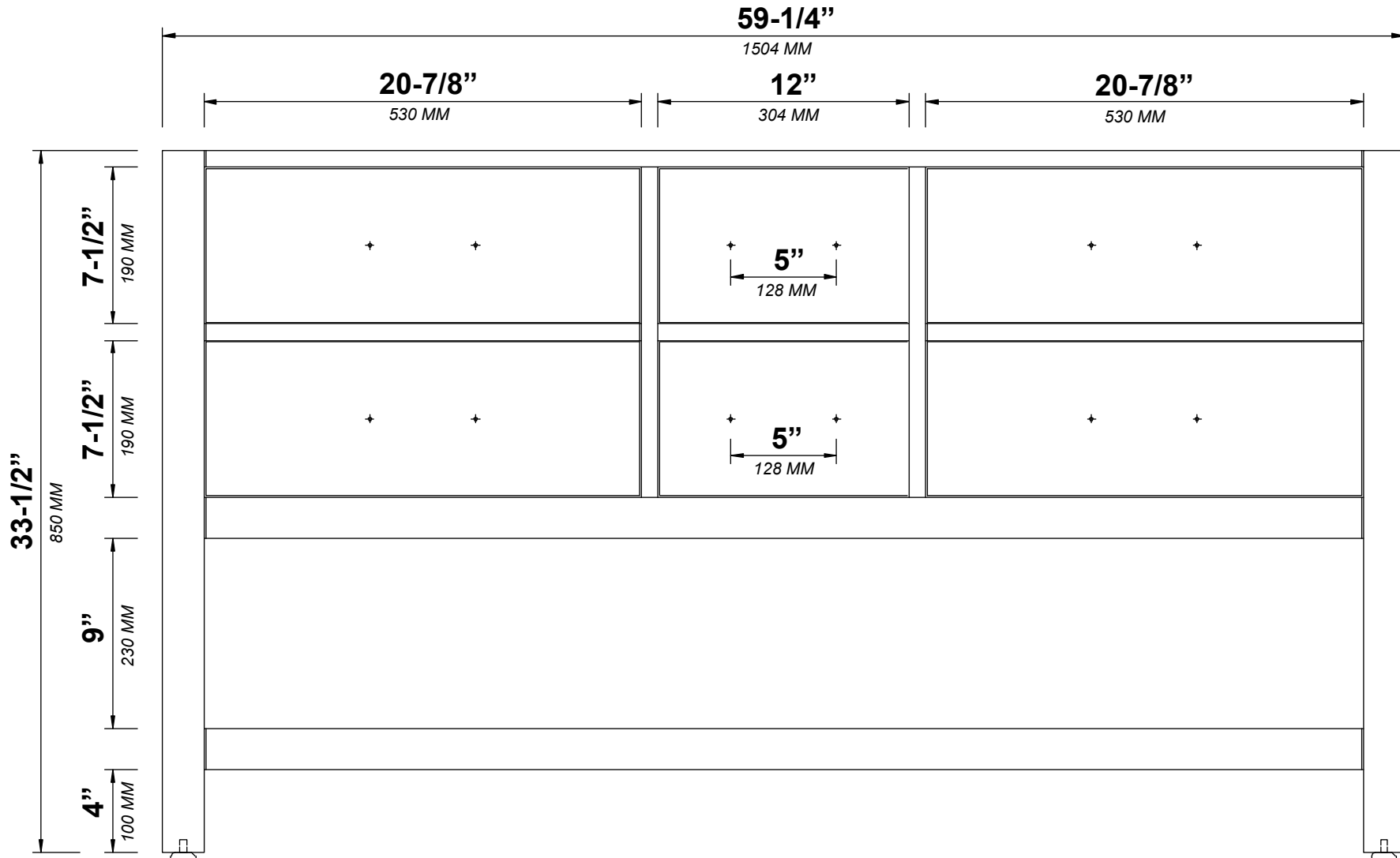


PARKER 60 IN DOUBLE SINK BATHROOM VANITY



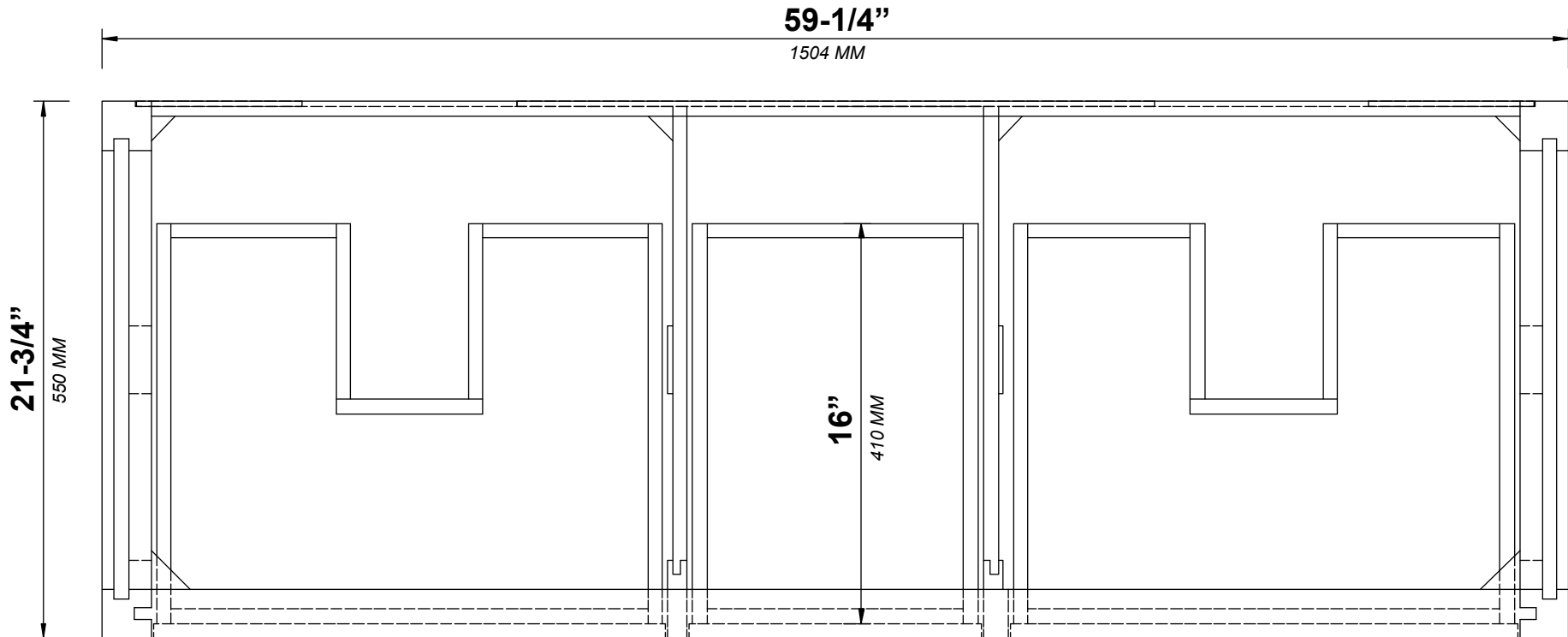
PARKER 60 IN DOUBLE SINK CABINET

FRONT VIEW



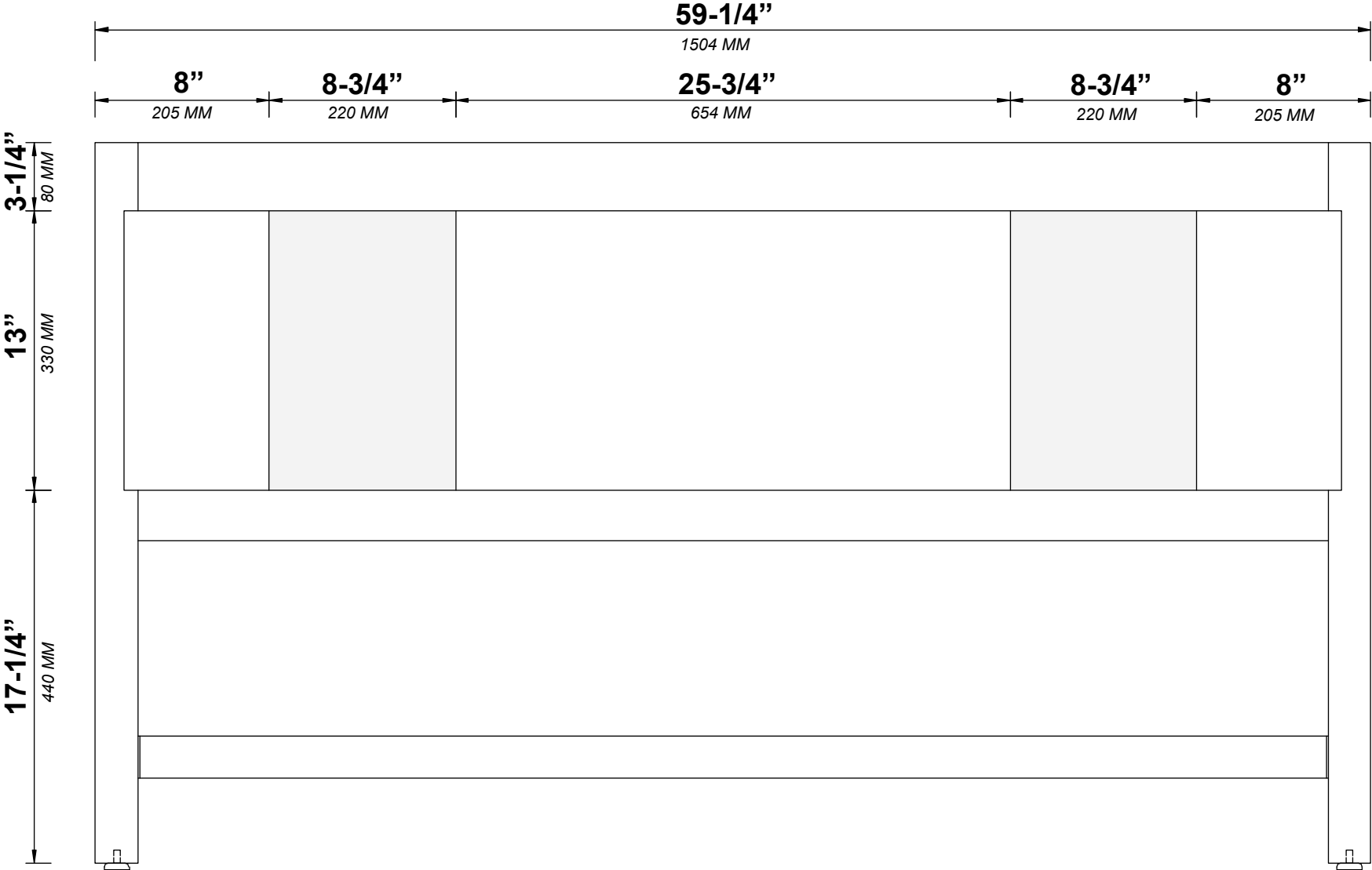
PARKER 60 IN DOUBLE SINK CABINET

TOP VIEW



PARKER 60 IN DOUBLE SINK CABINET

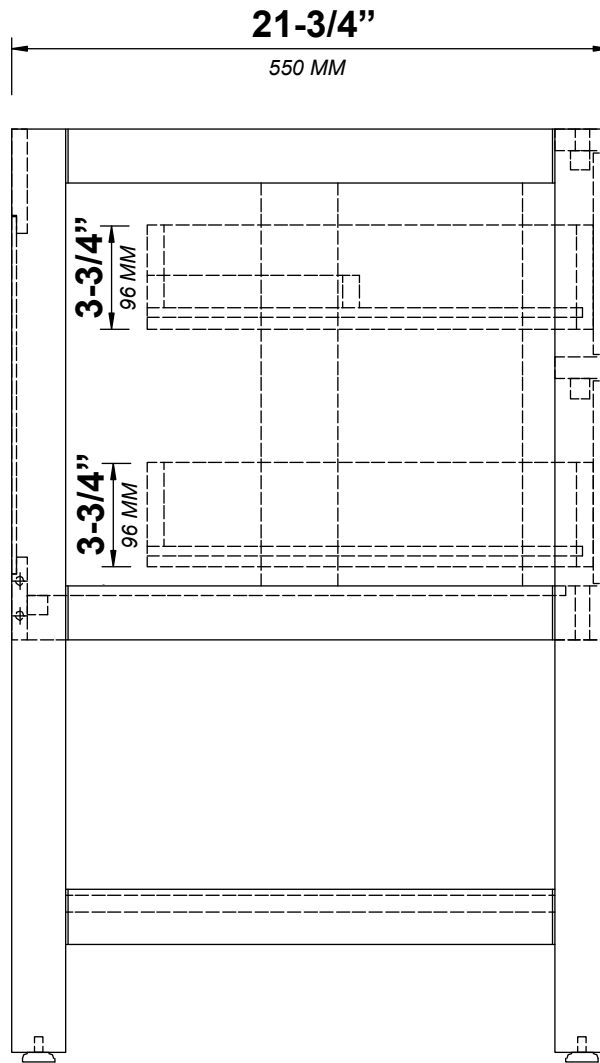
BACK VIEW



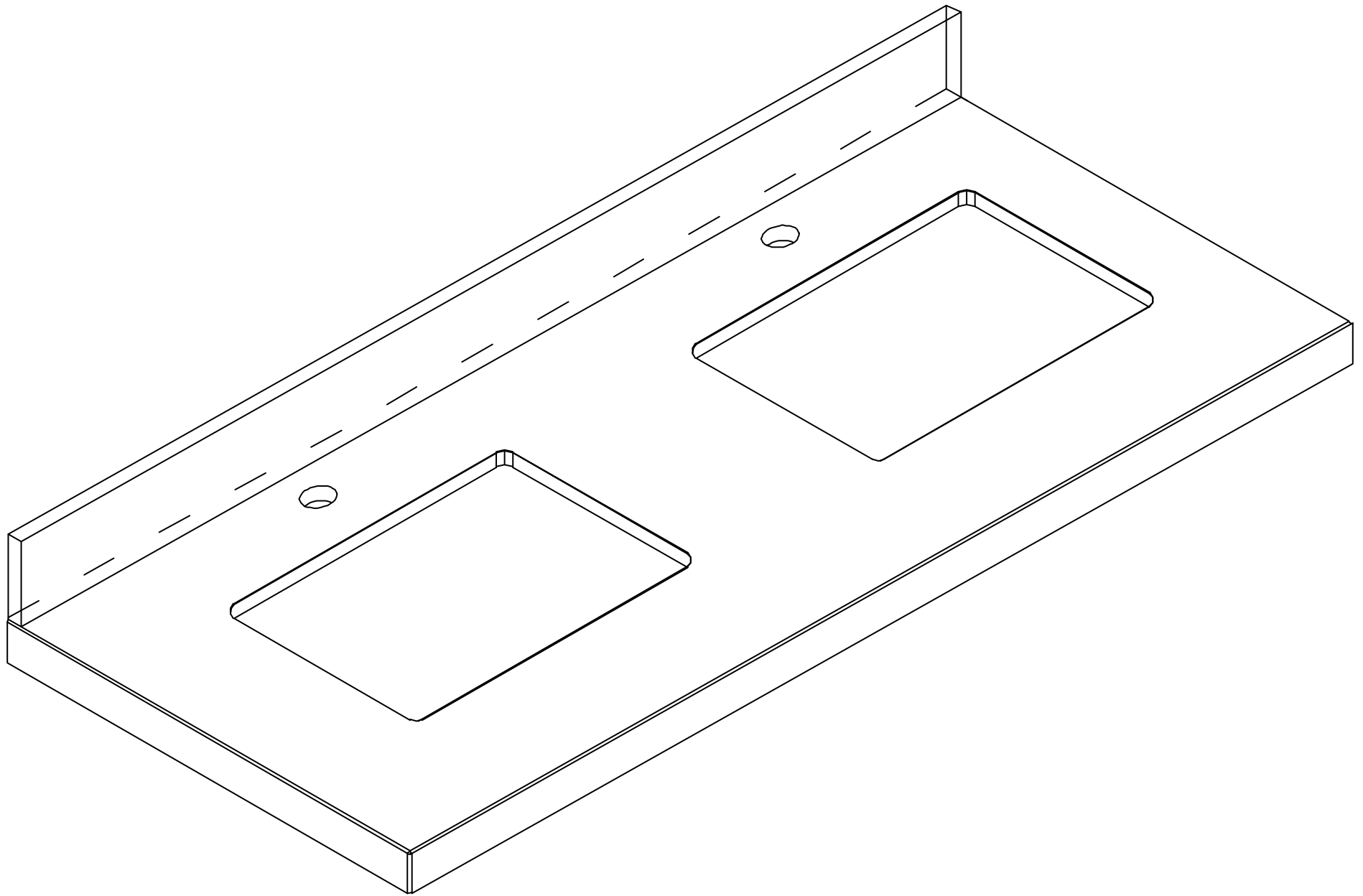
Note: All measurements are ± 1/4".

PARKER 60 IN DOUBLE SINK CABINET

SIDE VIEW

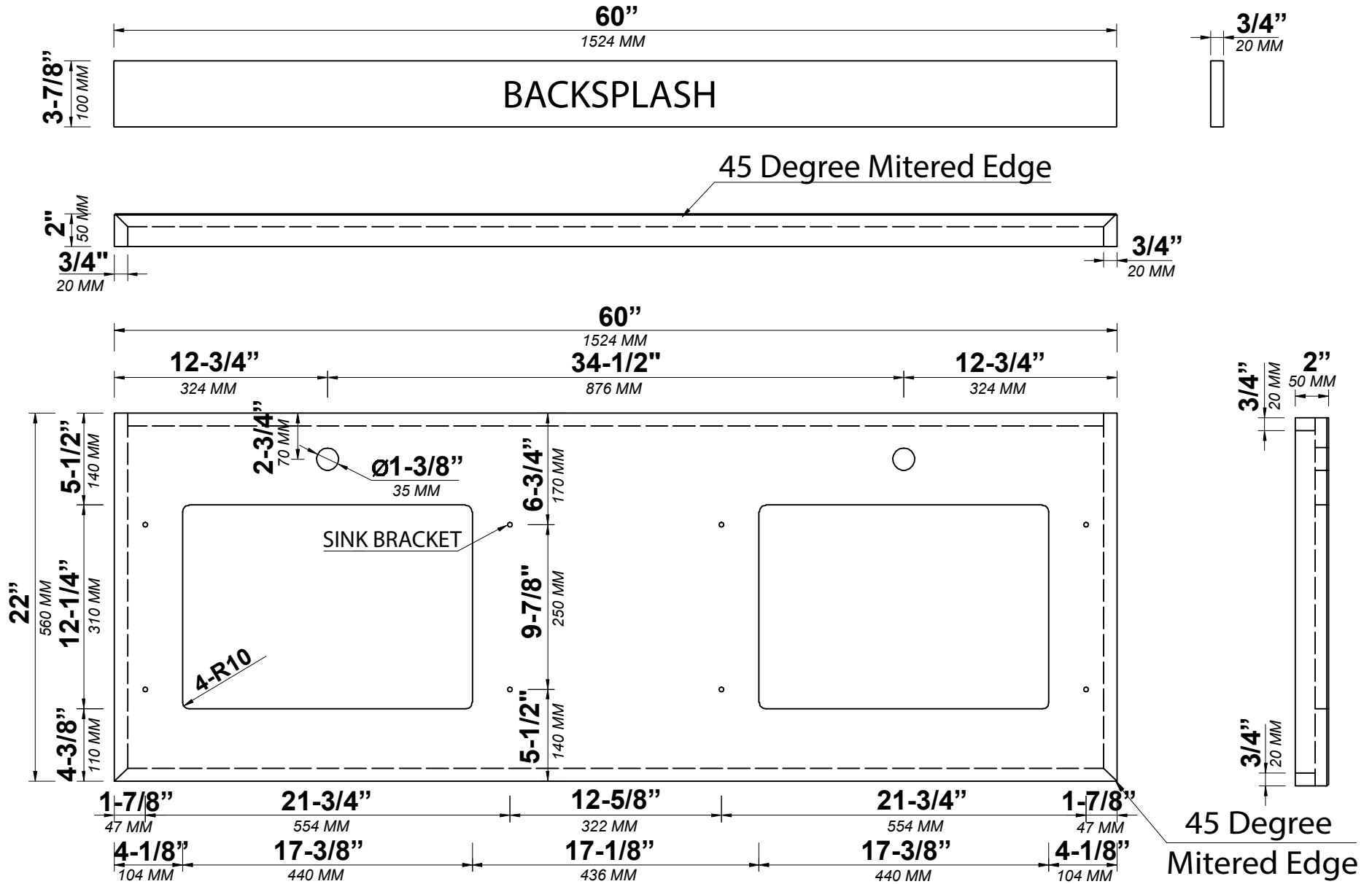


60 IN DOUBLE SINK 2 IN STRAIGHT MITERED EDGE COUNTERTOP

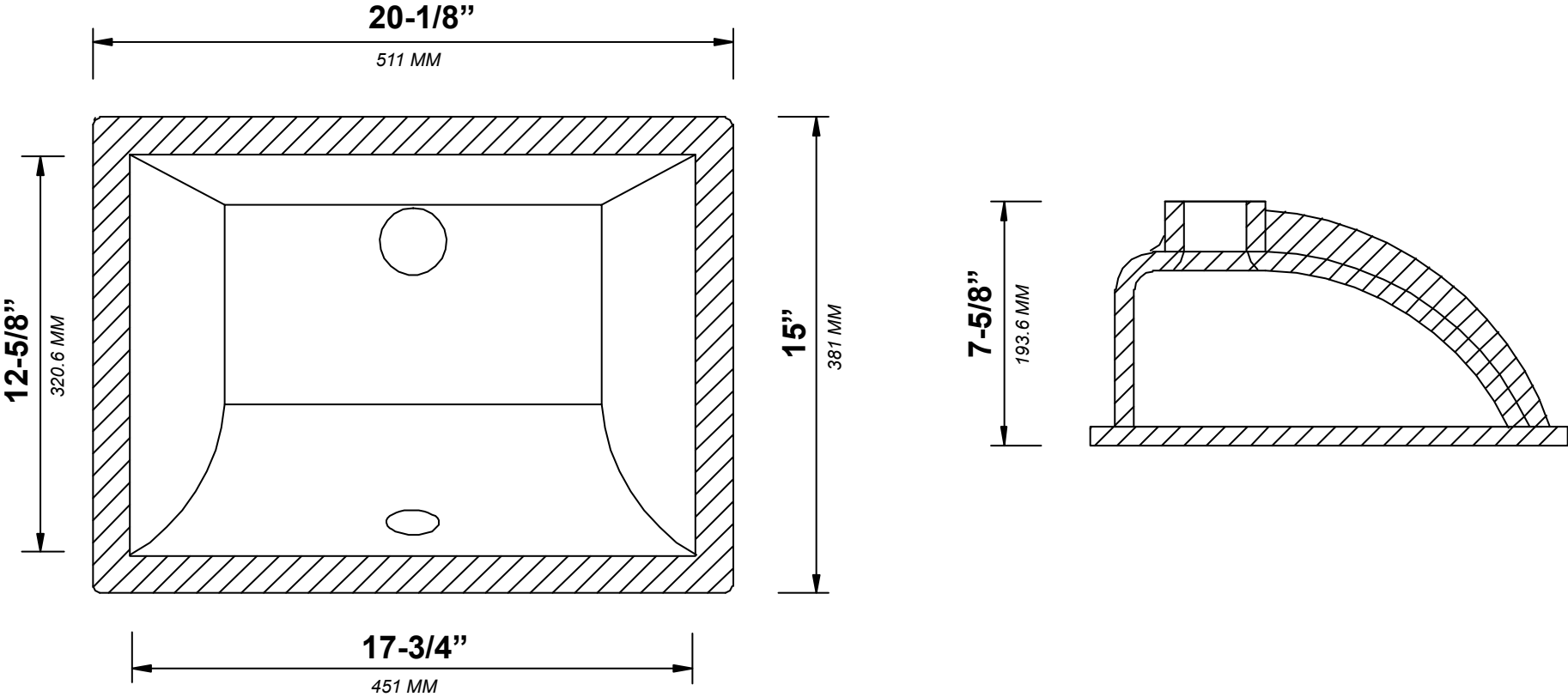


60 IN DOUBLE SINK 2 IN STRAIGHT MITERED EDGE COUNTERTOP

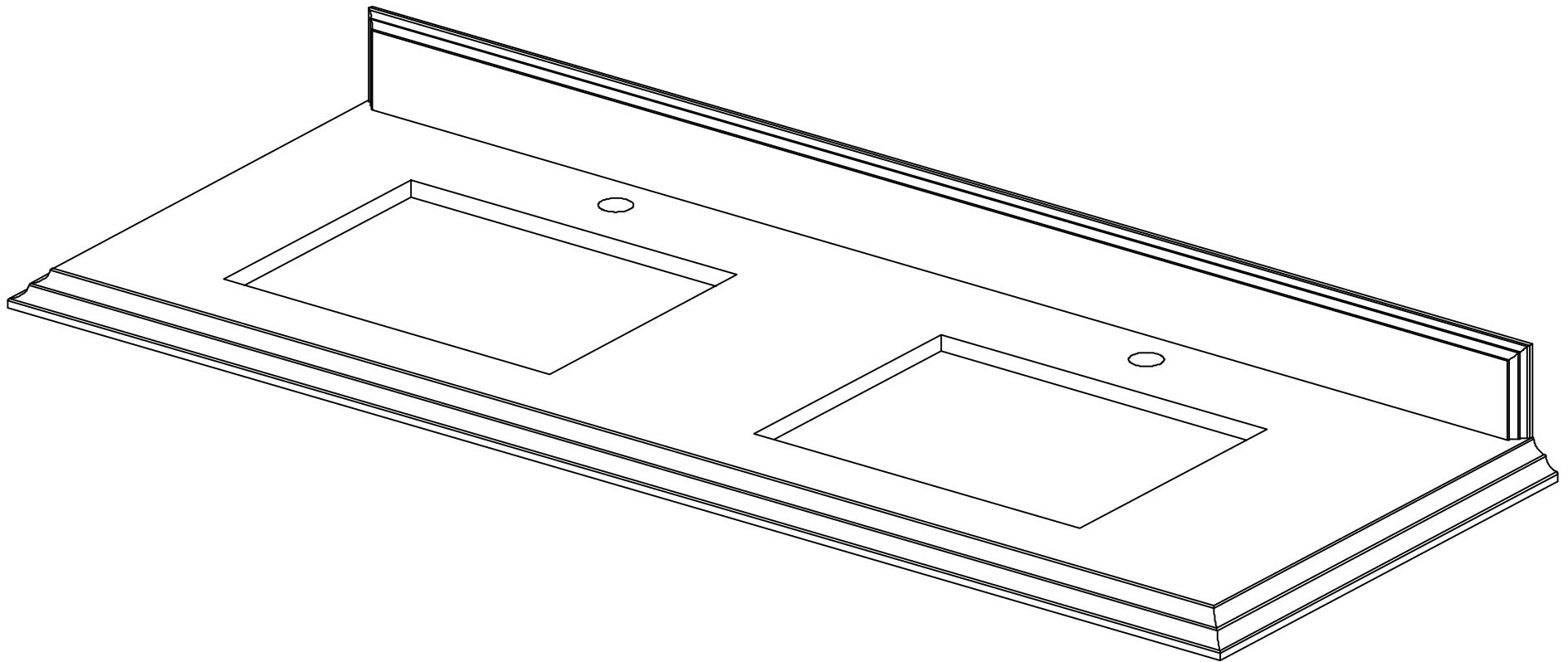
NOTE: The dimensions specified below pertain exclusively to **Straight Mitered Edge** countertops. For information regarding **Double Cove Edge** dimensions, please refer to the Double Cove Edge dimensions section.



STANDARD RECTANGULAR UNDERMOUNT SINK



60 IN DOUBLE SINK 1.5 IN DOUBLE COVE EDGE COUNTERTOP



60 IN DOUBLE SINK 1.5 IN DOUBLE COVE EDGE COUNTERTOP

NOTE: The dimensions specified below pertain exclusively to **Double Cove Edge** countertops. For information regarding **Straight Mitered Edge** dimensions, please refer to the Straight Mitered Edge dimensions section.

