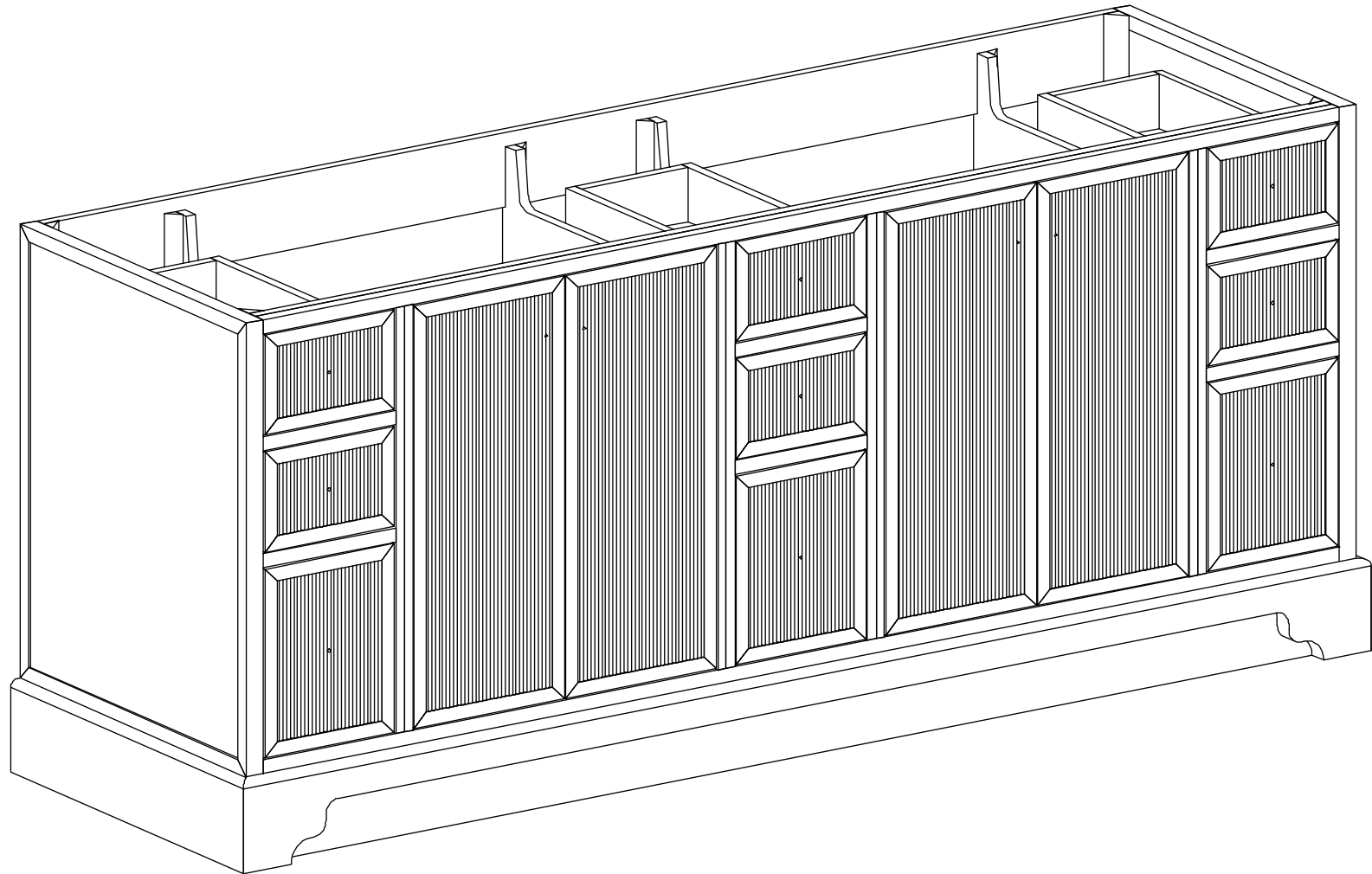


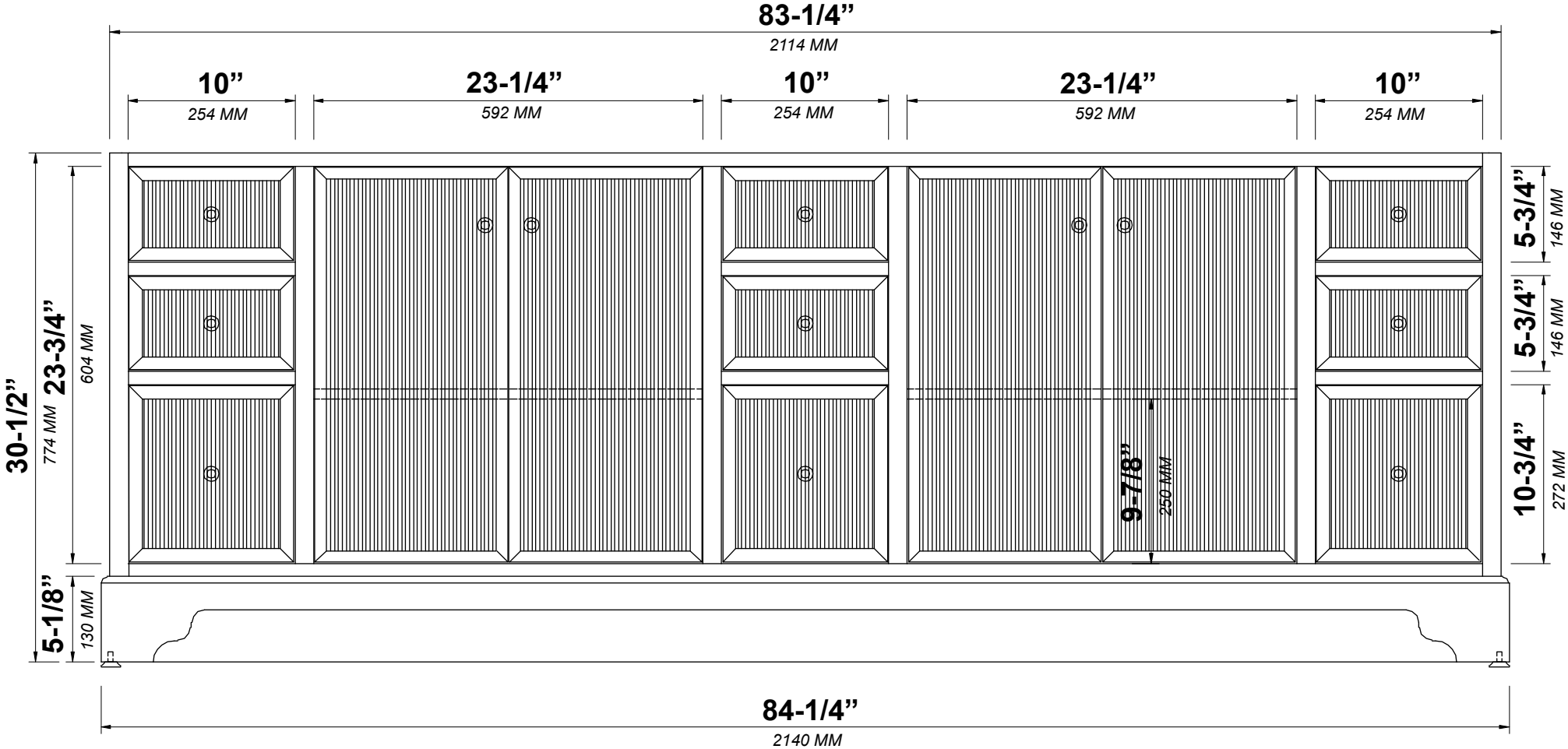


## MANHATTAN OAK 84 IN DOUBLE SINK BATHROOM VANITY



MANHATTAN OAK 84 IN DOUBLE SINK CABINET

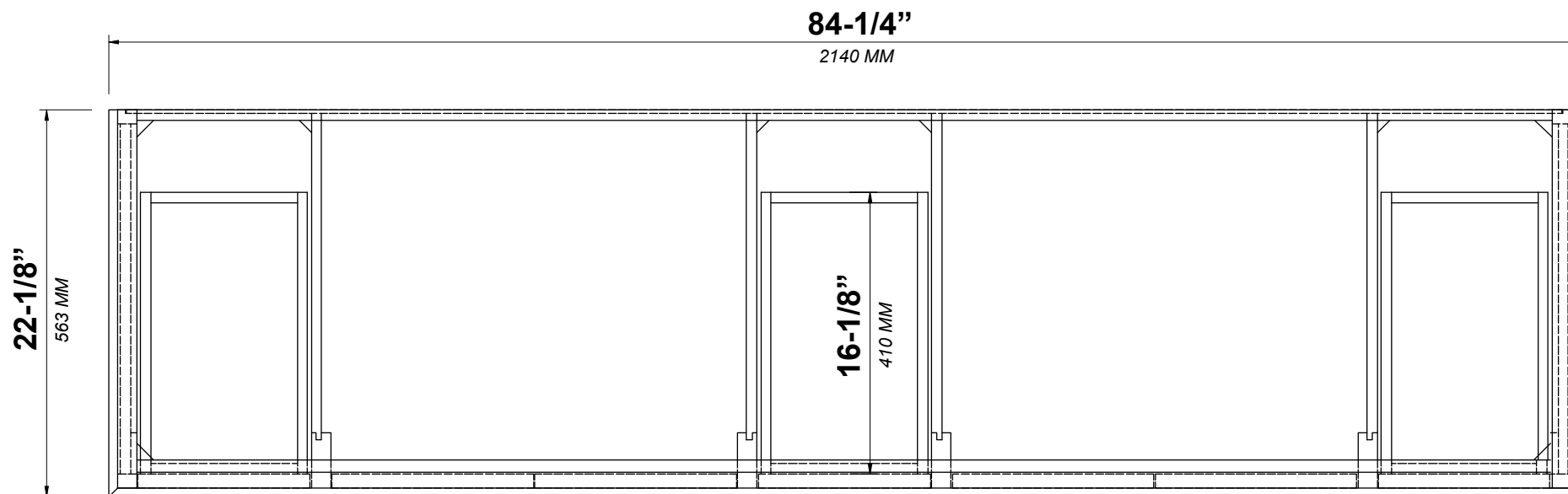
FRONT VIEW



Note: All measurements are ± 1/4".

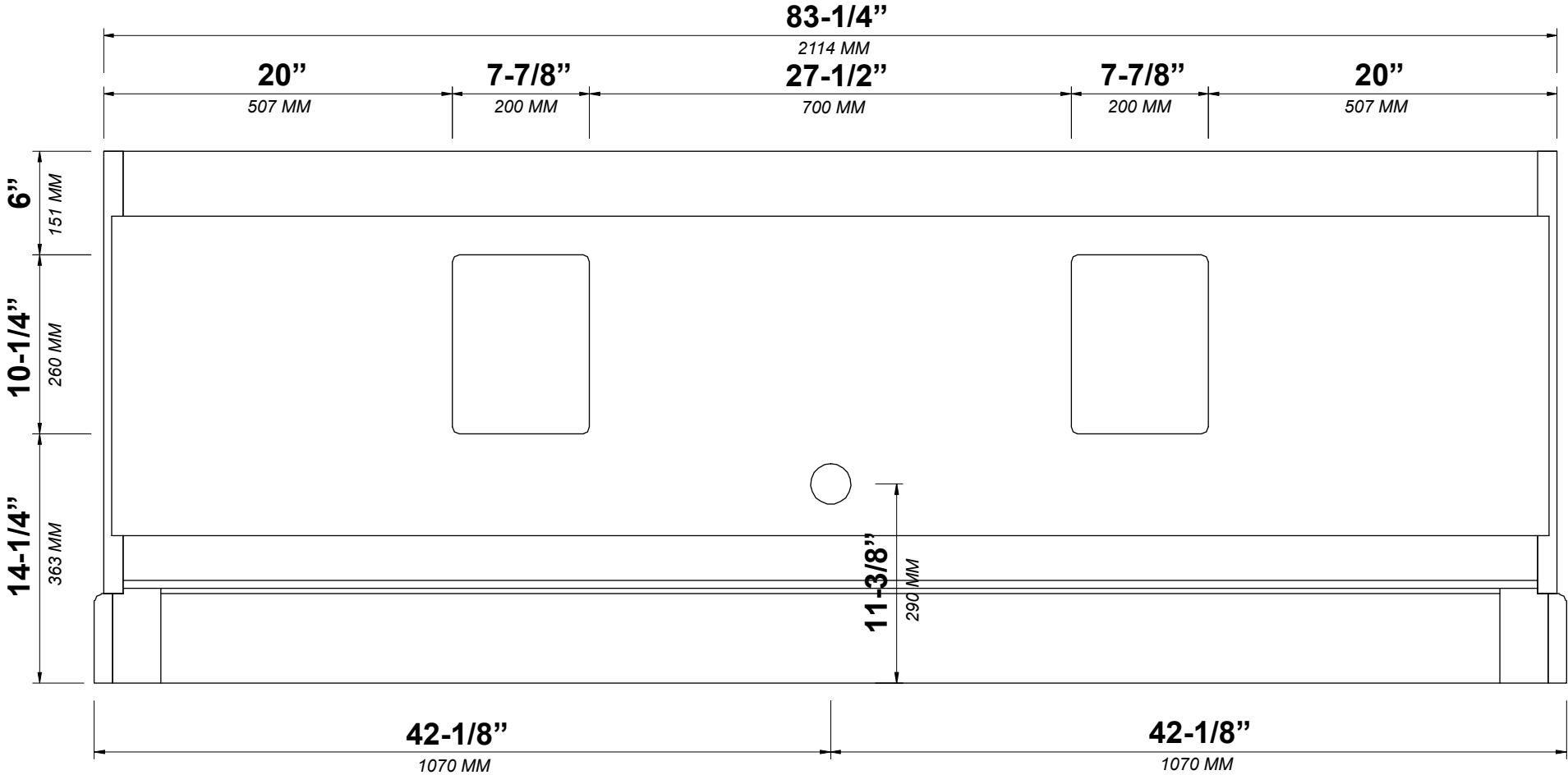
# MANHATTAN OAK 84 IN DOUBLE SINK CABINET

## TOP VIEW



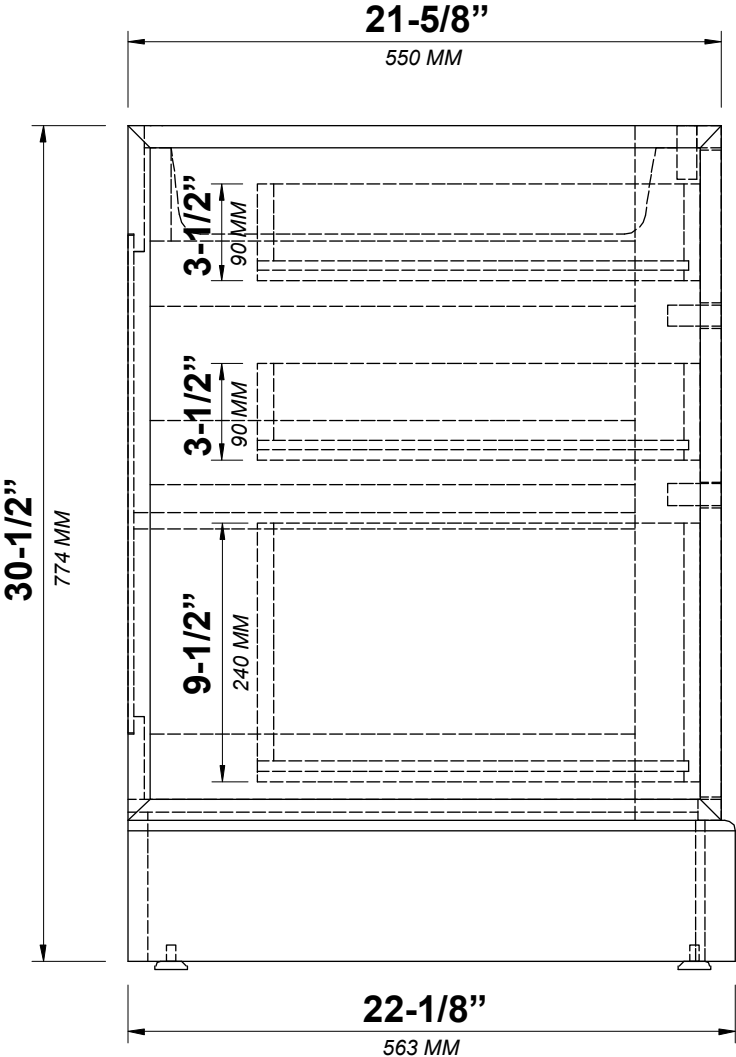
MANHATTAN OAK 84 IN DOUBLE SINK CABINET

BACK VIEW

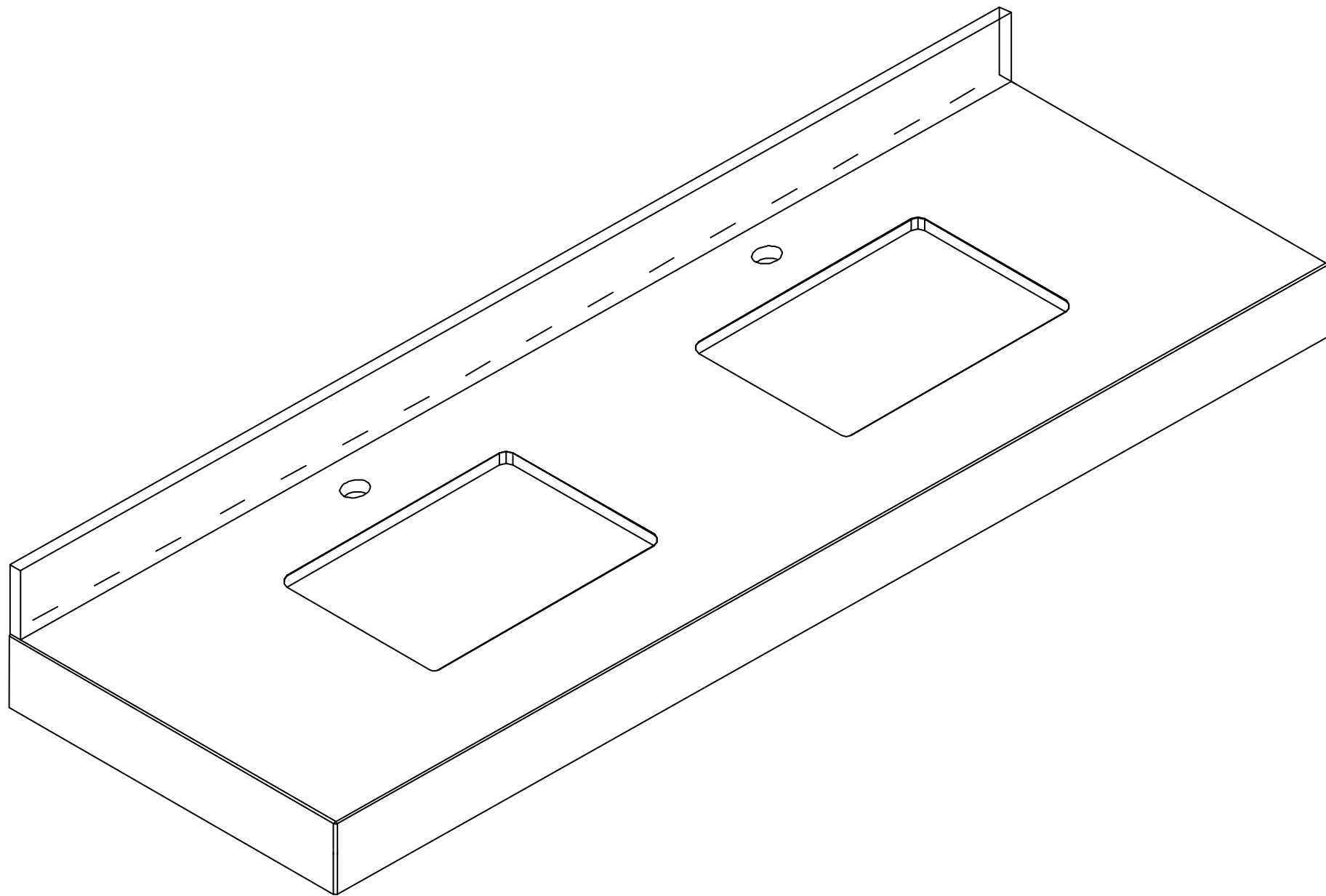


**MANHATTAN OAK 84 IN DOUBLE SINK CABINET**

**SIDE VIEW**

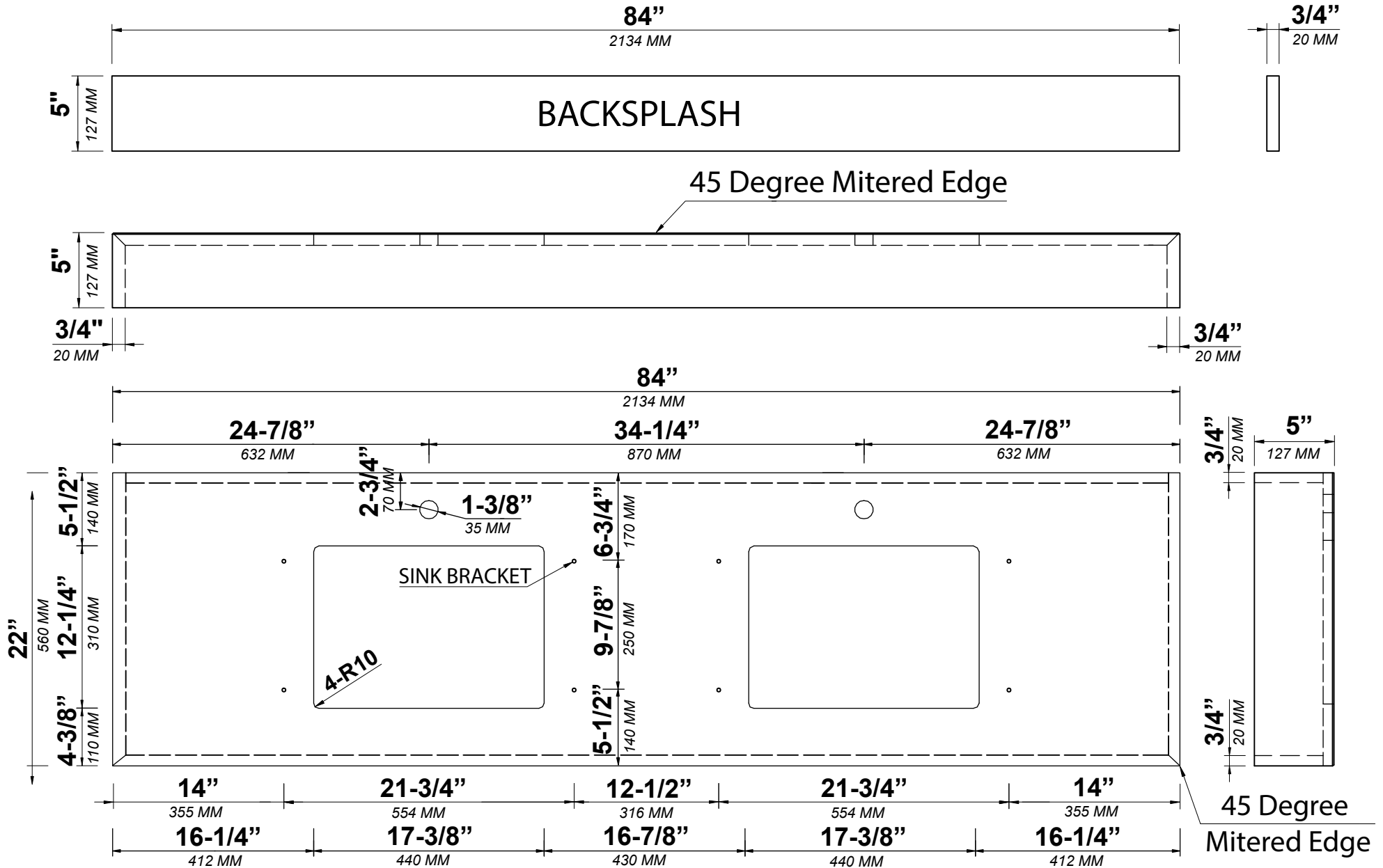


84 IN DOUBLE SINK 5 IN STRAIGHT MITERED EDGE COUNTERTOP



# 84 IN DOUBLE SINK 5 IN STRAIGHT MITERED EDGE COUNTERTOP

NOTE: The dimensions specified below pertain exclusively to **Straight Mitered Edge** countertops. For information regarding **Double Cove Edge** dimensions, please refer to the Double Cove Edge dimensions section.



# STANDARD RECTANGULAR UNDERMOUNT SINK

