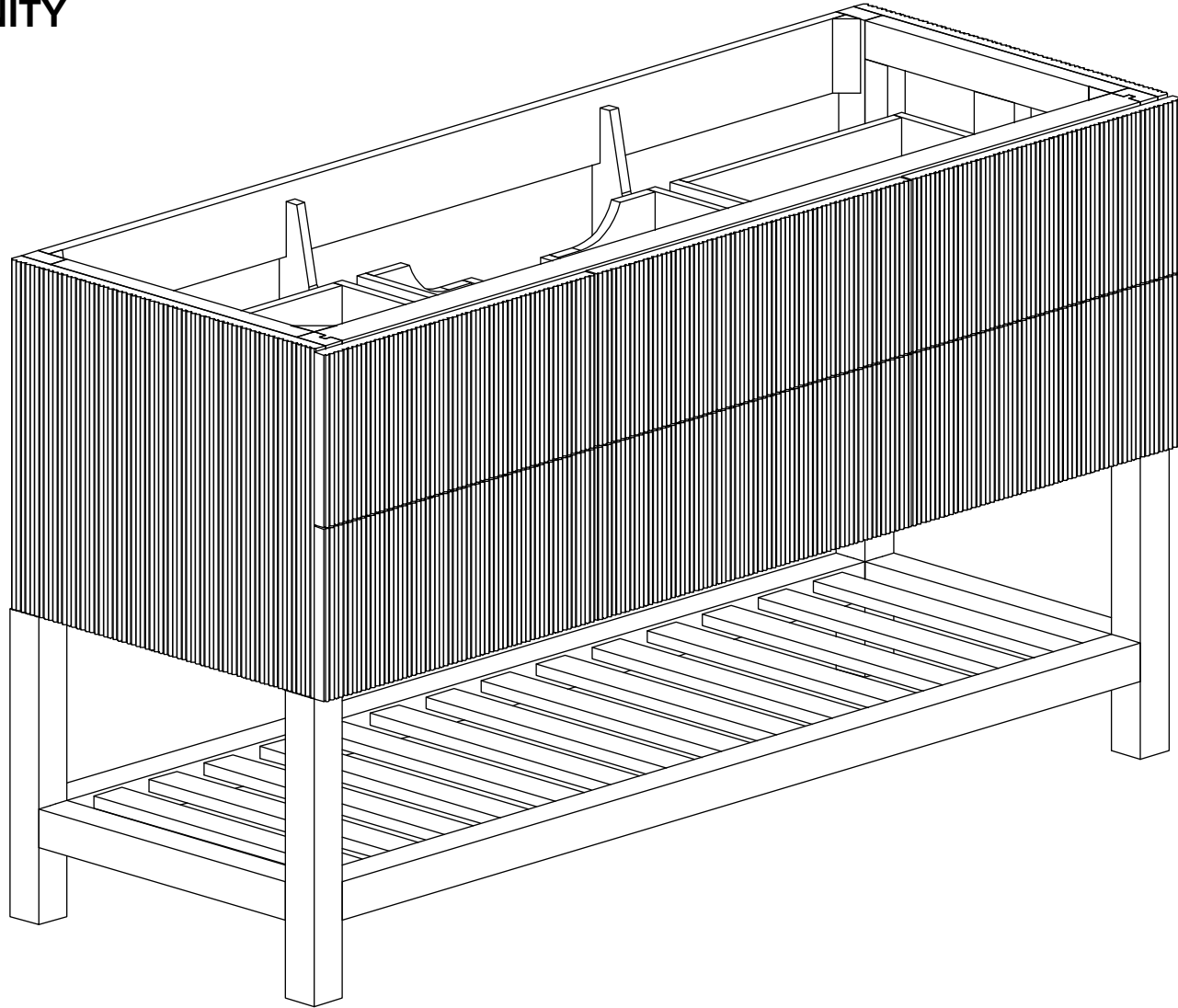


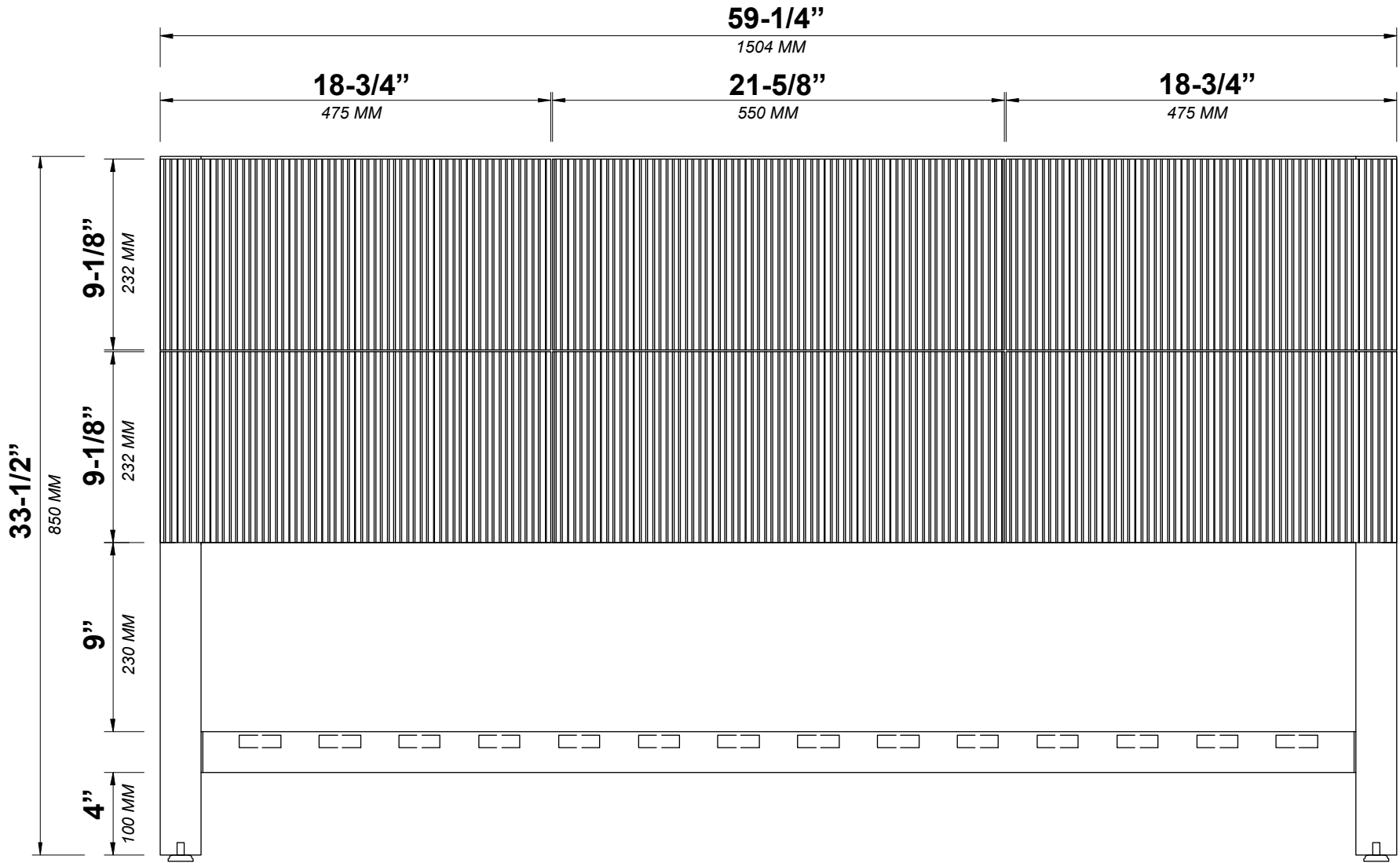


CATALINA 60 IN SINGLE SINK BATHROOM VANITY



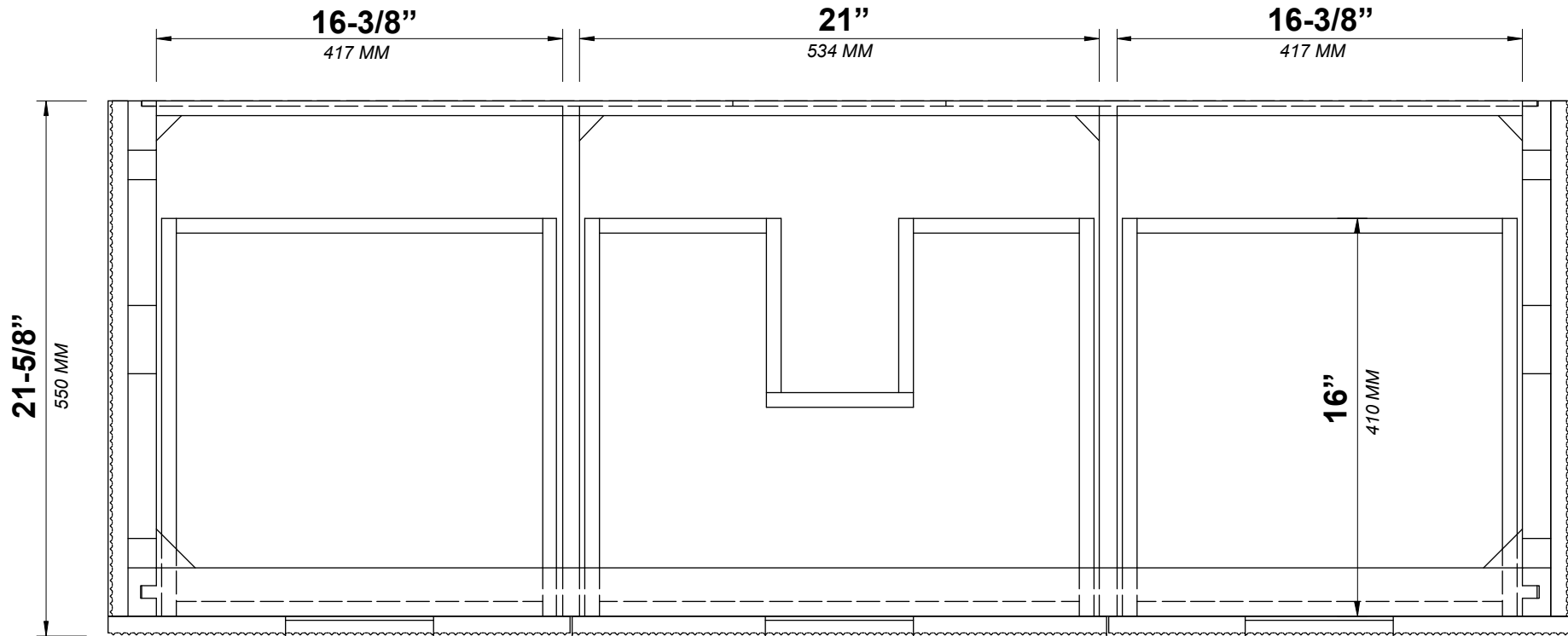
CATALINA 60 IN SINGLE SINK CABINET

FRONT VIEW



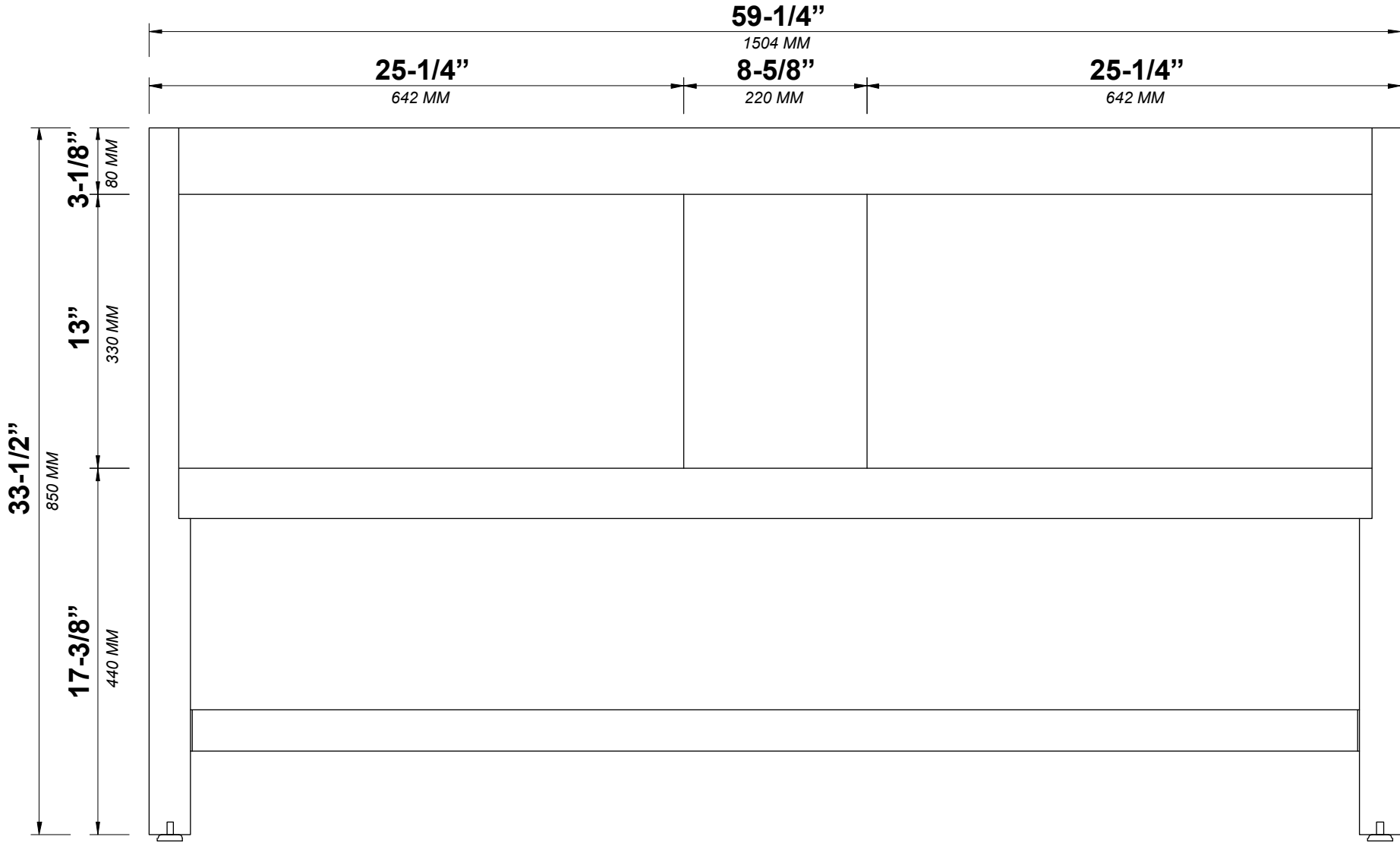
CATALINA 60 IN SINGLE SINK CABINET

TOP VIEW



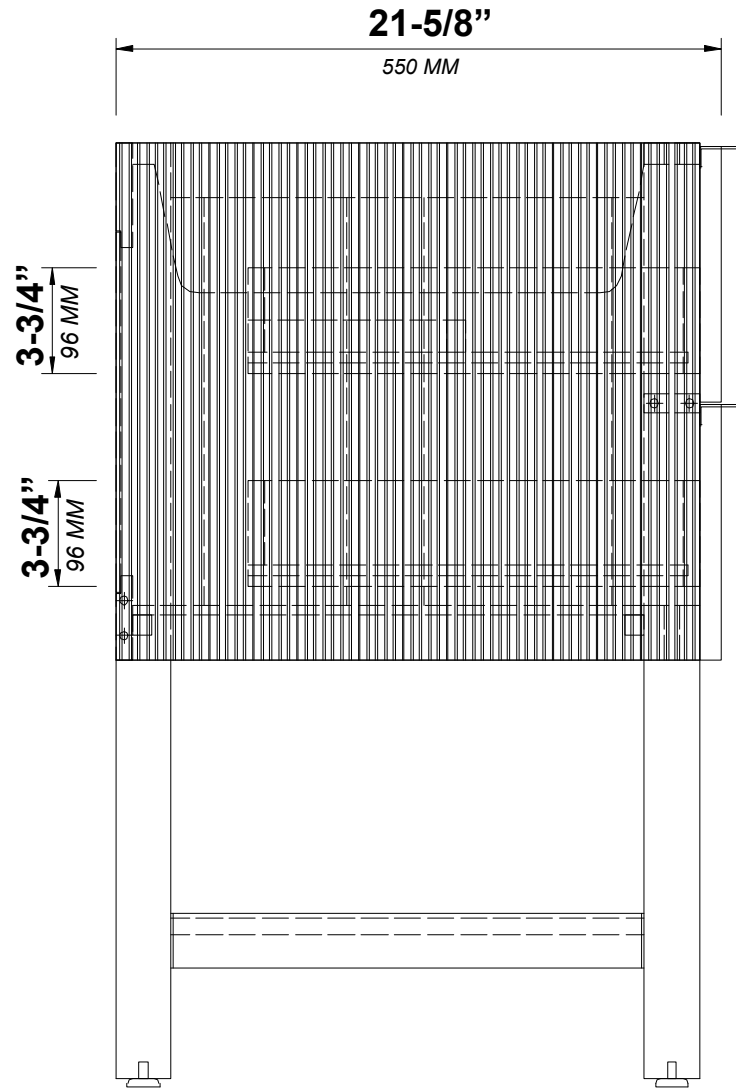
CATALINA 60 IN SINGLE SINK CABINET

BACK VIEW

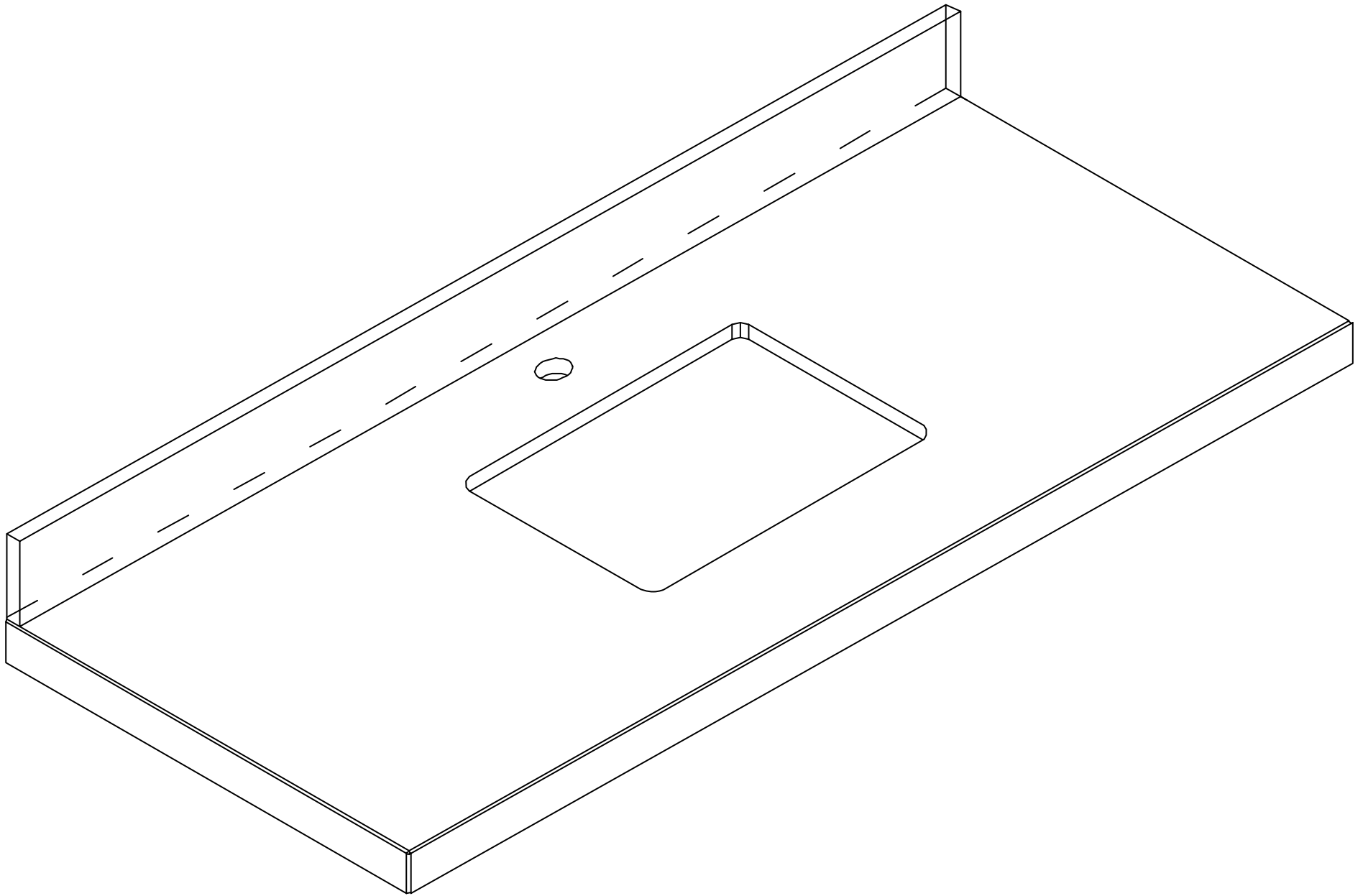


CATALINA 60 IN SINGLE SINK CABINET

SIDE VIEW

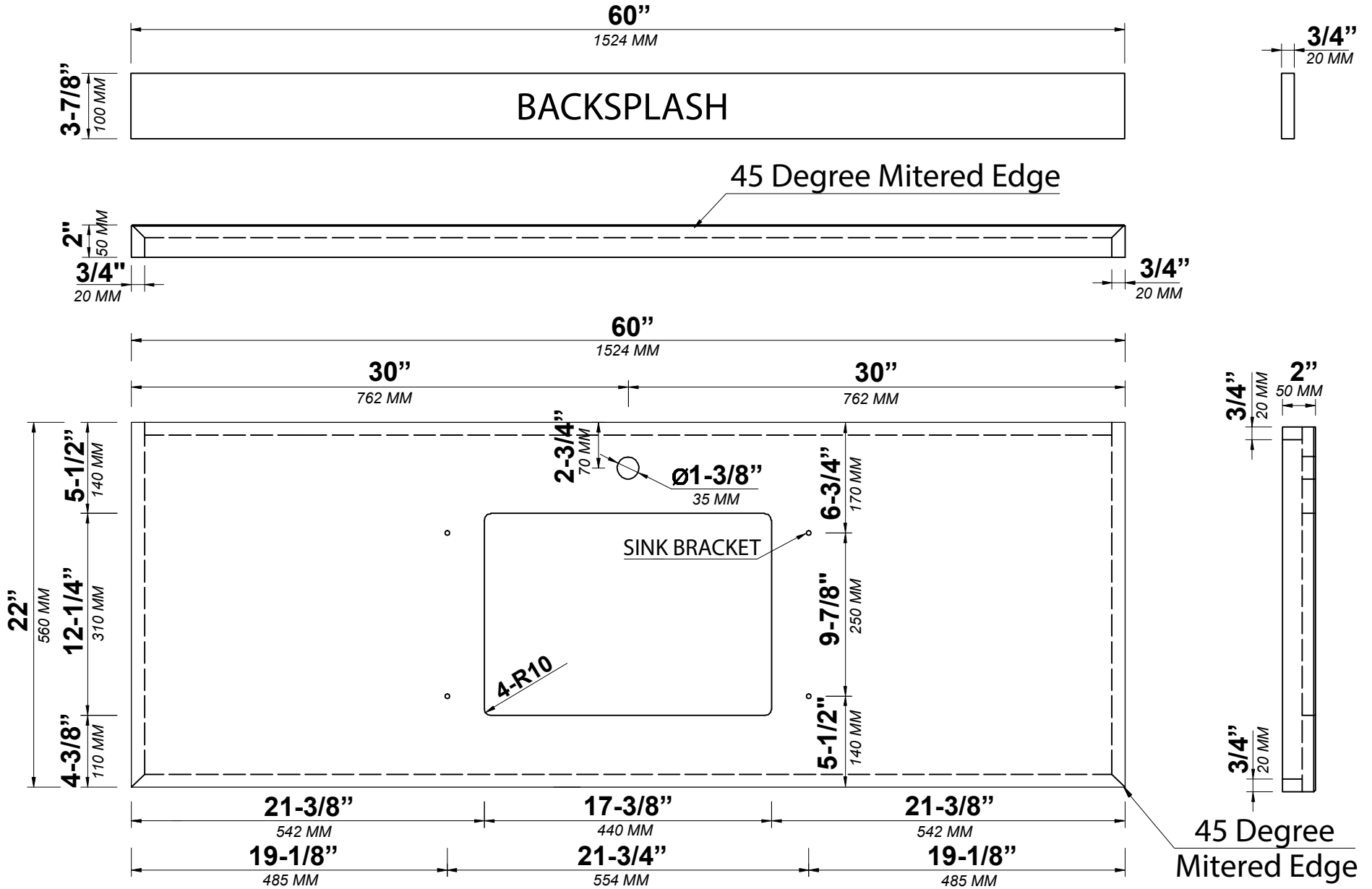


60 IN SINGLE SINK 2 IN STRAIGHT MITERED EDGE COUNTERTOP

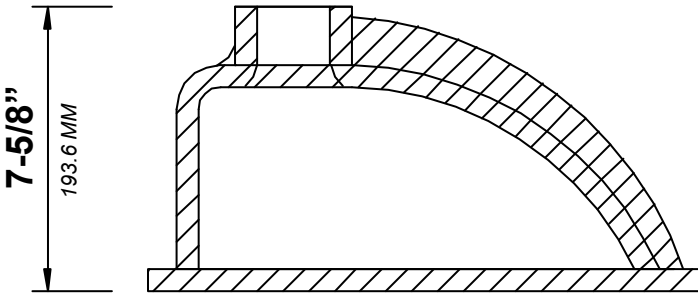
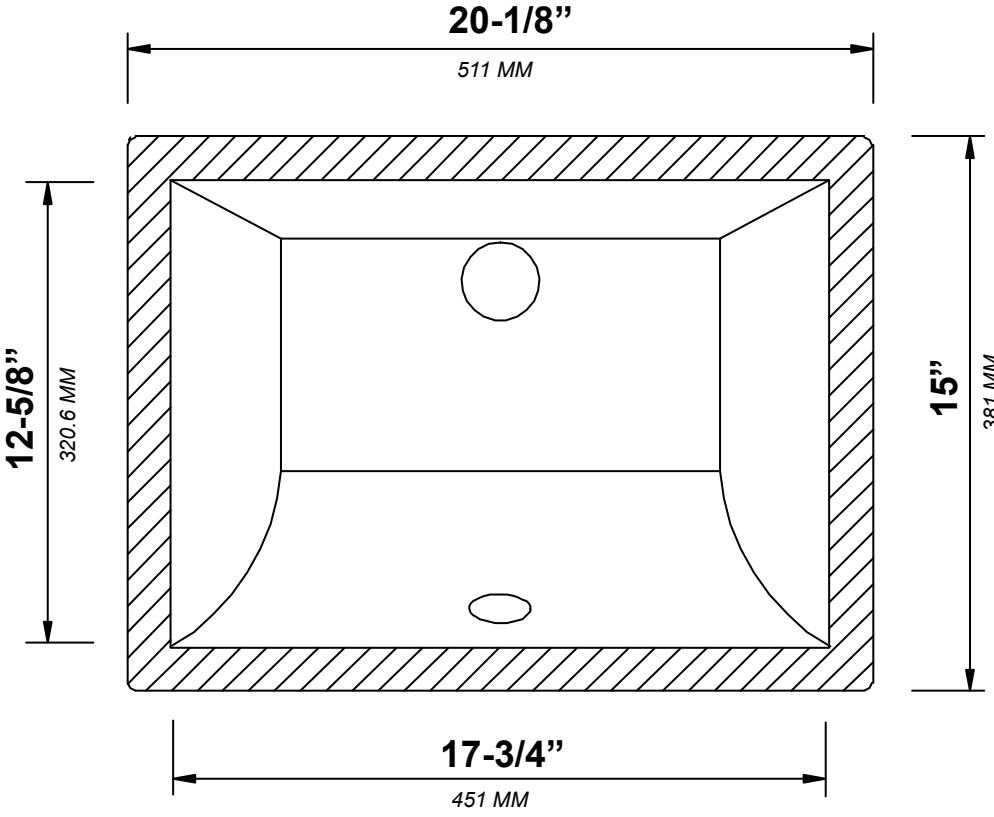


60 IN SINGLE SINK 2 IN STRAIGHT MITERED EDGE COUNTERTOP

NOTE: The dimensions specified below pertain exclusively to **Straight Mitered Edge** countertops. For information regarding **Double Cove Edge** dimensions, please refer to the Double Cove Edge dimensions section.

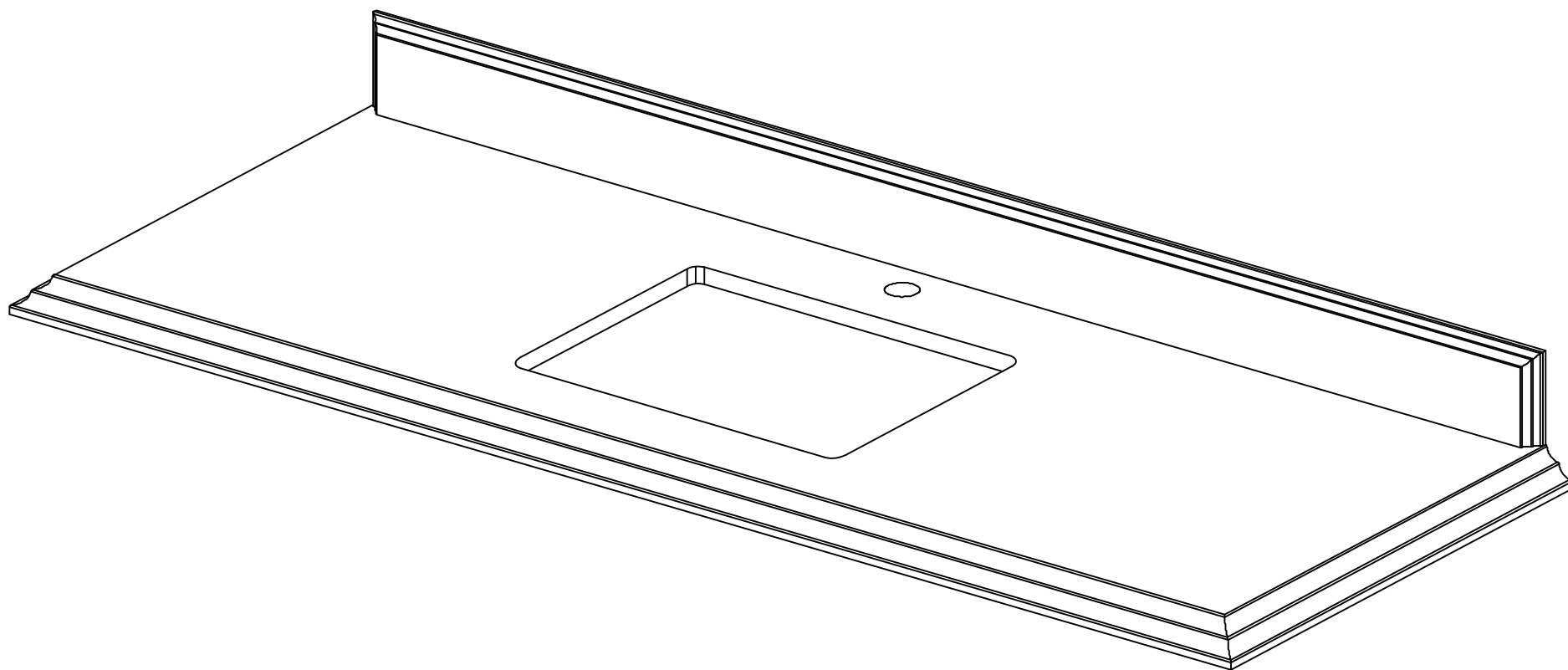


STANDARD RECTANGULAR UNDERMOUNT SINK



Note: All measurements are $\pm 1/4''$.

60 IN SINGLE SINK 1.5 IN DOUBLE COVE EDGE COUNTERTOP



60 IN SINGLE SINK 1.5 IN DOUBLE COVE EDGE COUNTERTOP

NOTE: The dimensions specified below pertain exclusively to **Double Cove Edge** countertops. For information regarding **Straight Mitered Edge** dimensions, please refer to the Straight Mitered Edge dimensions section.

