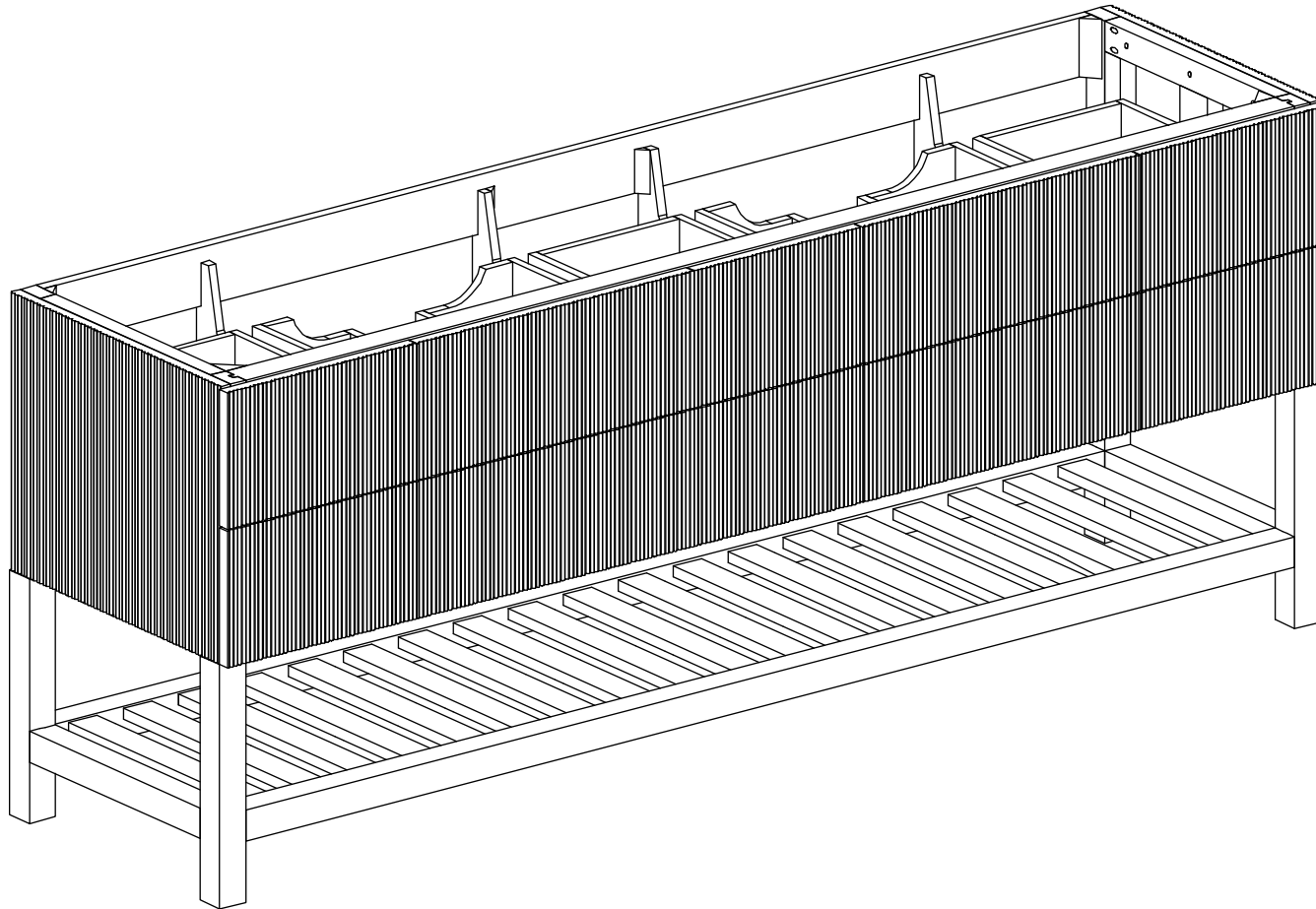


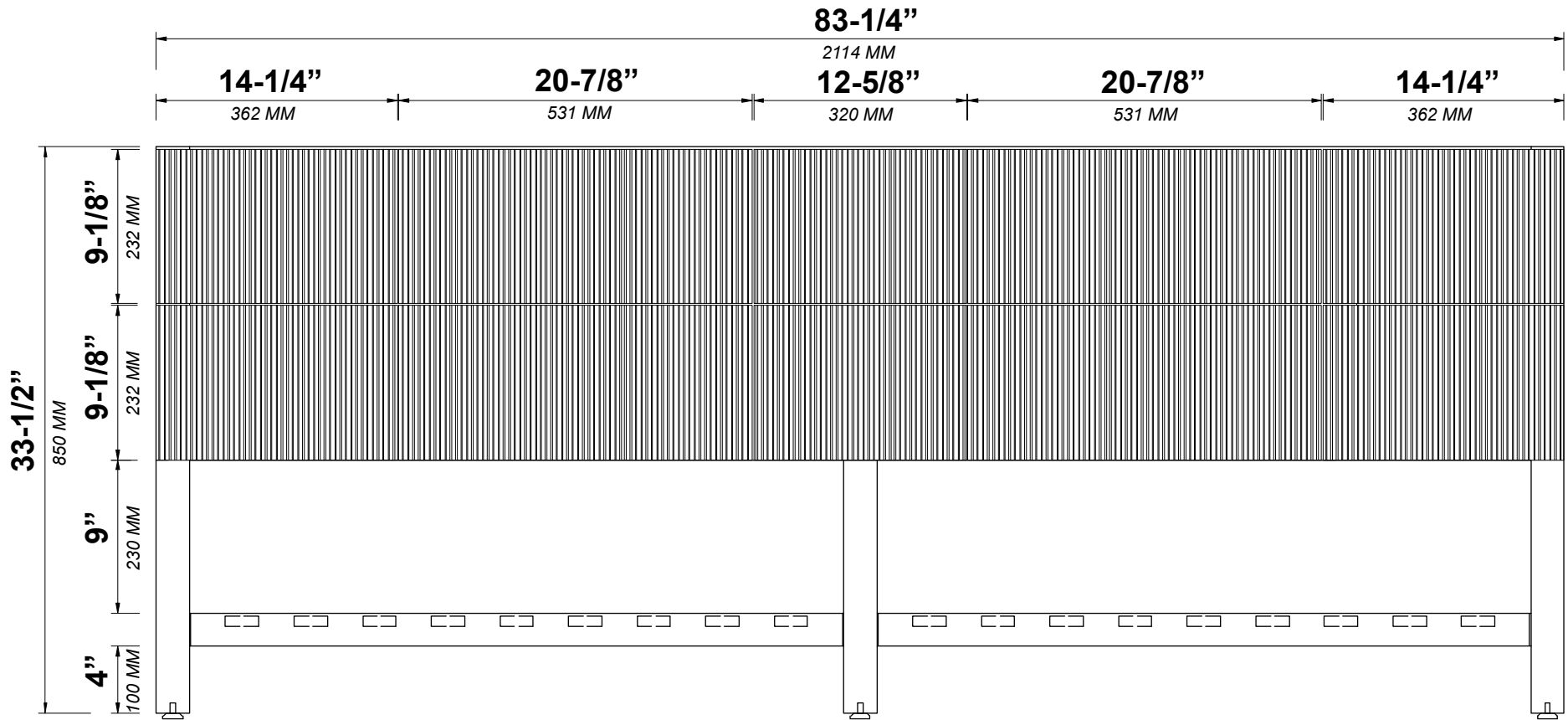


## CATALINA 84 IN DOUBLE SINK BATHROOM VANITY



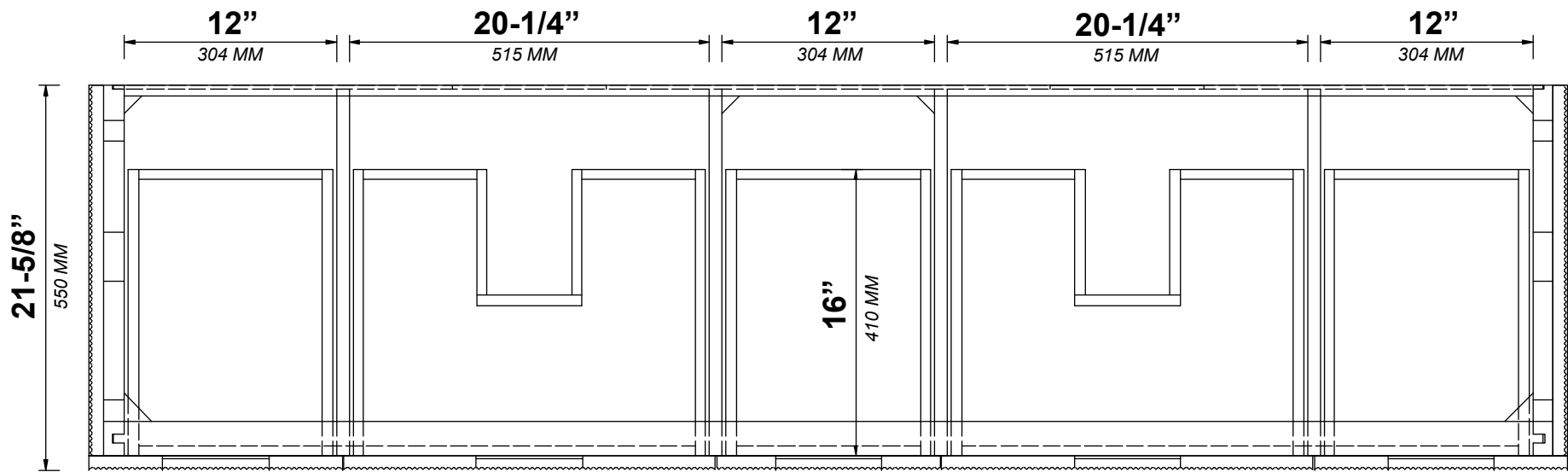
# CATALINA 84 IN DOUBLE SINK CABINET

## FRONT VIEW



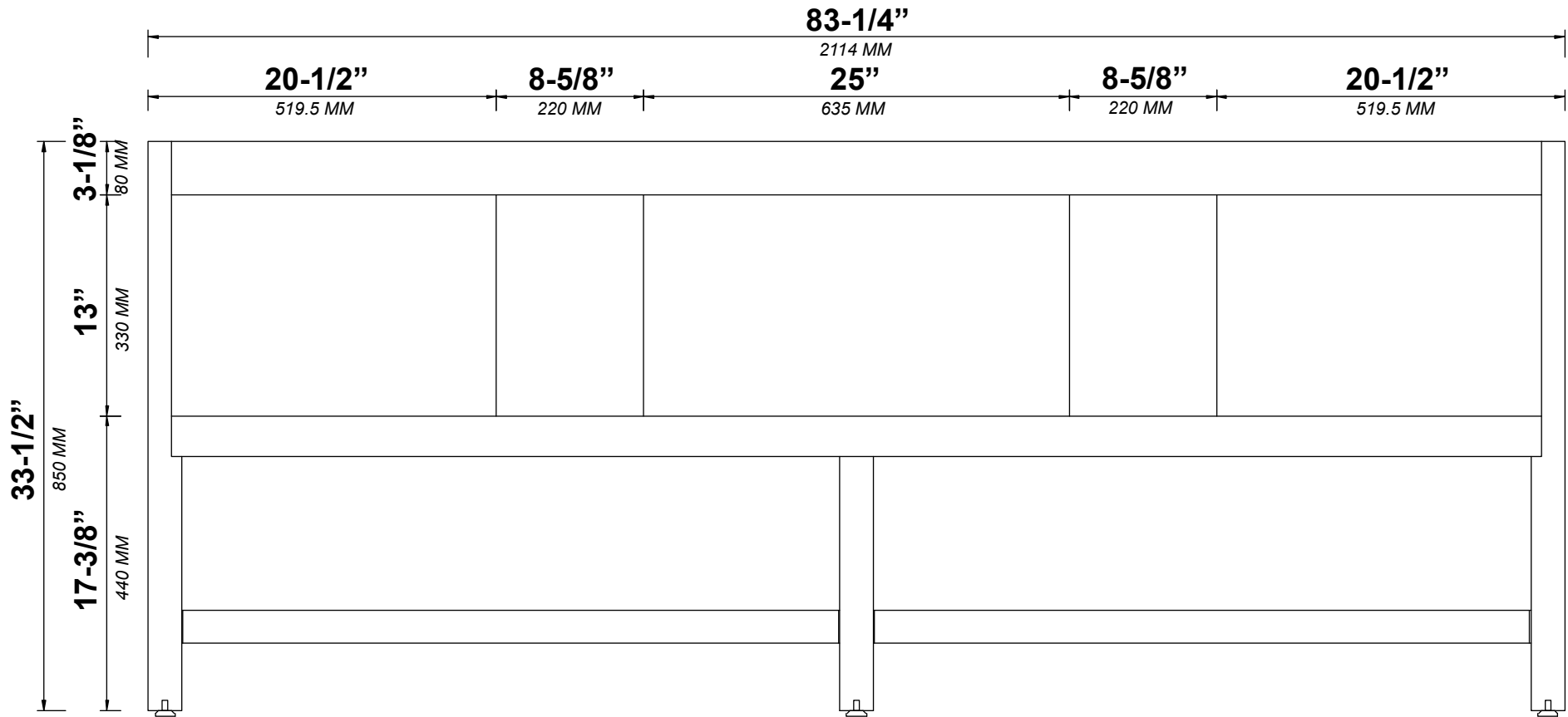
# CATALINA 84 IN DOUBLE SINK CABINET

## TOP VIEW



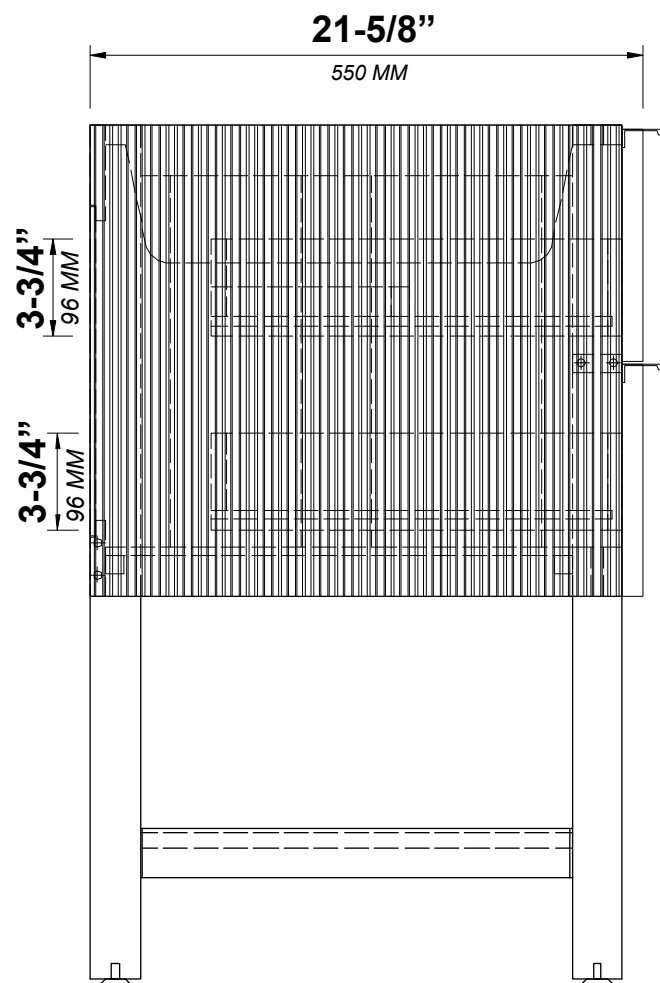
# CATALINA 84 IN DOUBLE SINK CABINET

## BACK VIEW

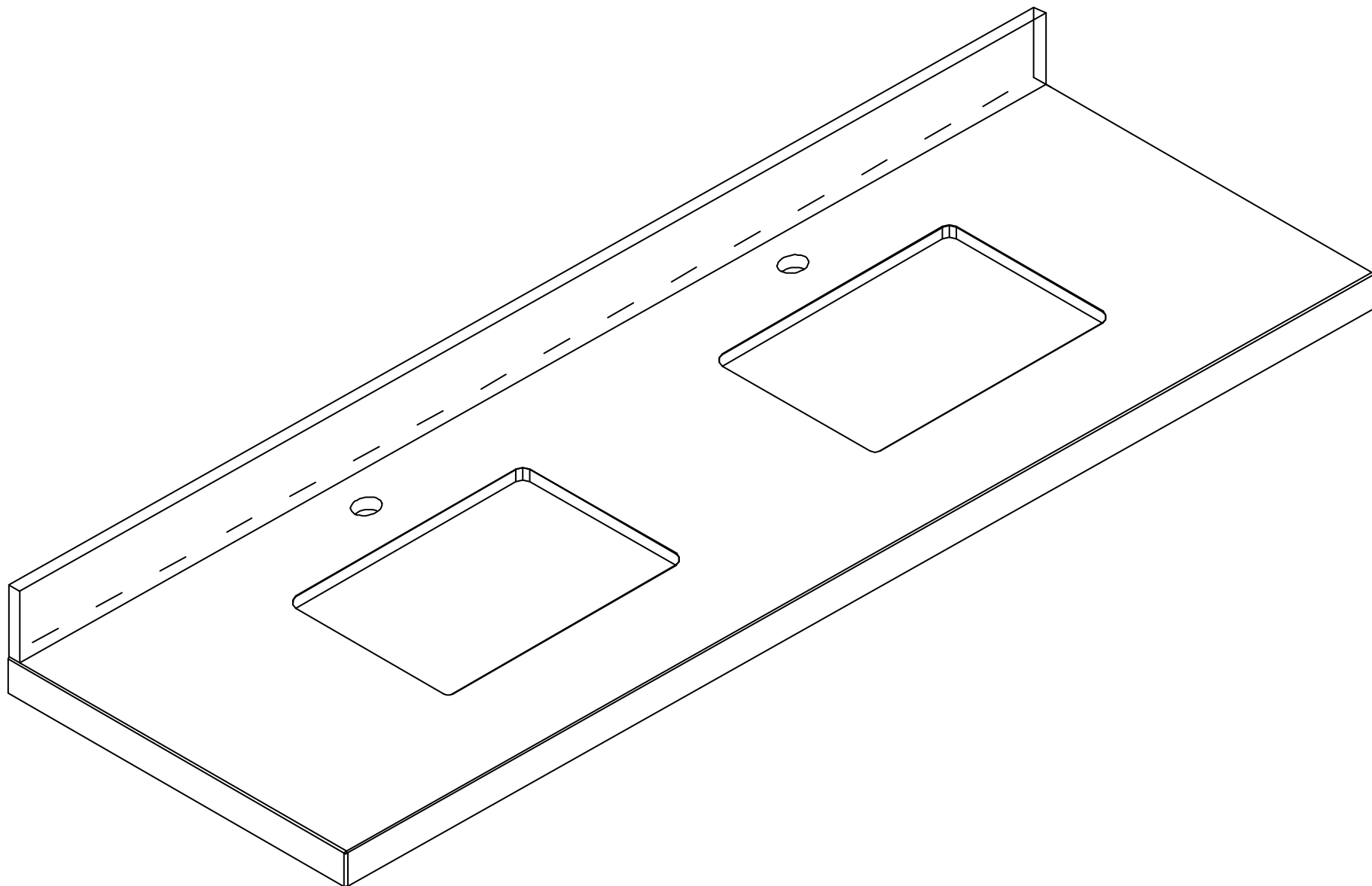


# CATALINA 84 IN DOUBLE SINK CABINET

## SIDE VIEW

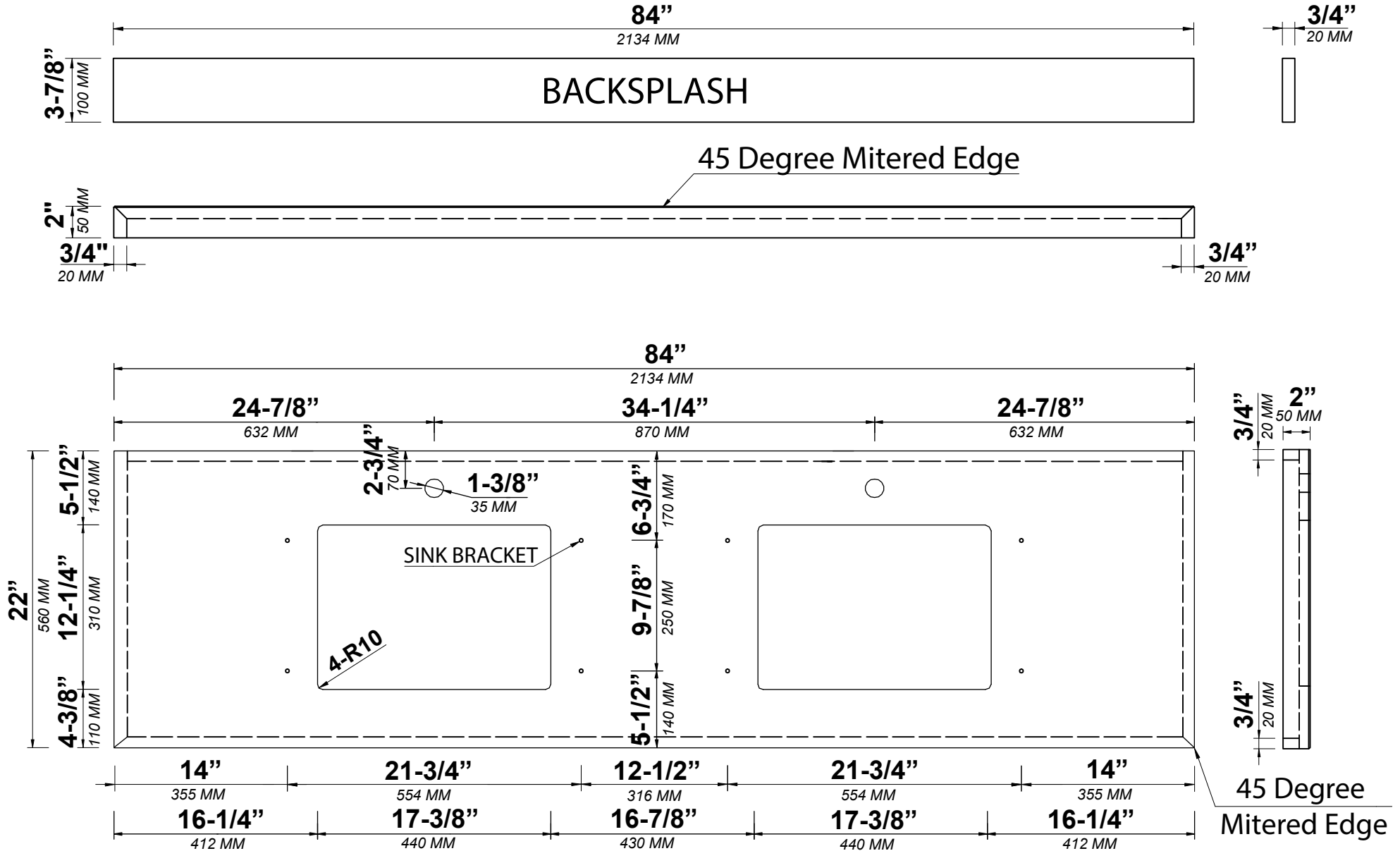


84 IN DOUBLE SINK 2 IN STRAIGHT MITERED EDGE COUNTERTOP

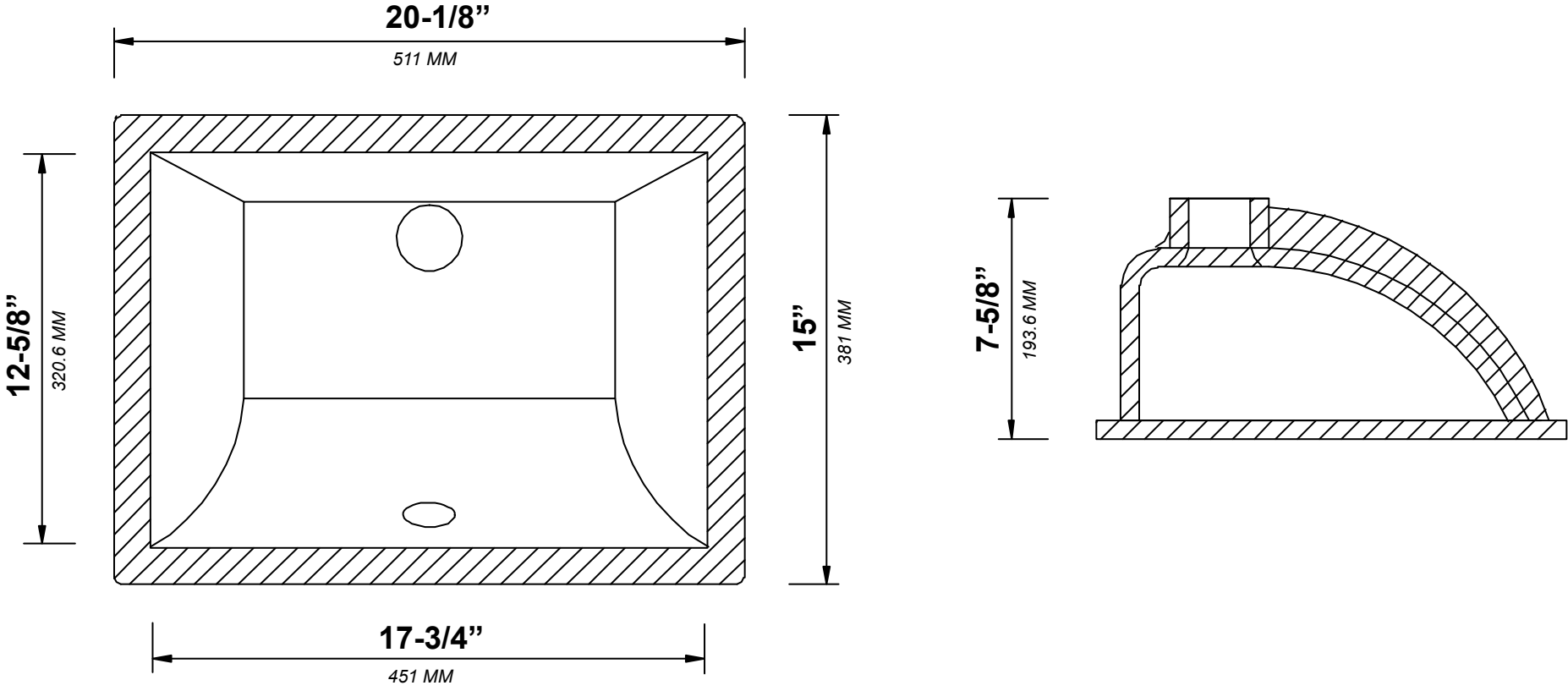


# 84 IN DOUBLE SINK 2 IN STRAIGHT MITERED EDGE COUNTERTOP

NOTE: The dimensions specified below pertain exclusively to **Straight Mitered Edge** countertops. For information regarding **Double Cove Edge** dimensions, please refer to the Double Cove Edge dimensions section.



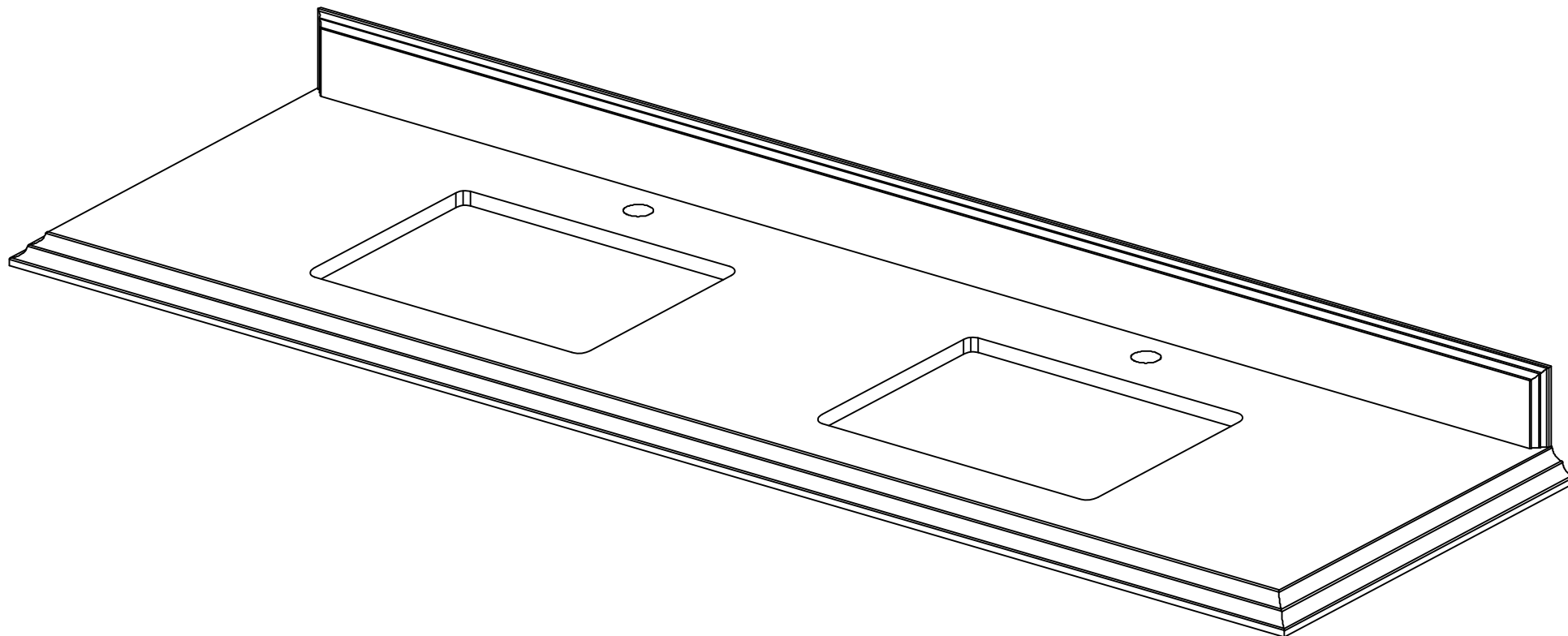
# STANDARD RECTANGULAR UNDERMOUNT SINK



Note: All measurements are  $\pm 1/4''$ .



84 IN DOUBLE SINK 1.5 IN DOUBLE COVE EDGE COUNTERTOP



# 84 IN DOUBLE SINK 1.5 IN DOUBLE COVE EDGE COUNTERTOP

NOTE: The dimensions specified below pertain exclusively to **Double Cove Edge** countertops. For information regarding **Straight Mitered Edge** dimensions, please refer to the **Straight Mitered Edge** dimensions section.

